



NMEA-2K

**Air Unit II** (12 + 24V)

Rev.: [F]



## **Disclaimer**

The interceptor units are also steering equipment and it is the sole responsibility of the navigator-operator to ensure that, at any point, any problem that will alter the vessels's course, rising from malfunction of interceptors, should be dealt immediately by the operator.

Under no circumstances, fault of our interceptor equipment leading to any kind of accident, creates liability for the manufacturer.

## **Trademark Notice**

HydroTab is a registered trademark of Olympic Engineering Ltd, Greece. All other trademarks, trade or company names referenced herein are used for identification only and are property of their respective owners.

## **Patent Notice**

HydroTab products are protected by patents and industrial design patents, patents pending or design patents pending.

## **Declaration of Conformity**

This product conforms to the following Electromagnetic Compatibility (EMC) regulations and standards for use in marine environments:

**CE EN 60945**

## **Technical Information and Documentation**

The technical information provided in this document was accurate and correct at the corresponding production time of the HydroTab interceptors. Our operating principal for improving the manufactured product, may lead to changes regarding its specs, without prior notice. Liability will not be held for any inaccuracy, considering the product and the user manual.

## **Fair Use Statement**

This manual can be printed or copied for private use only. Copies should not be provided to third parties and manual should not be commercialized.

## **Product Disposal**

Waste removal of this product must be done, according to the Waste Electrical and Electronic Equipment (WEEE) Directive.

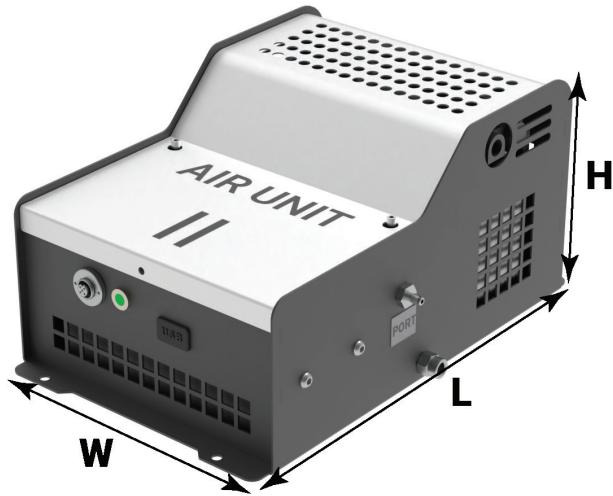
## **Product Registration**

Please register your product online in order for the warranty to be valid.

## Table of Contents

Disclaimer.....	2
Technical Data & Dimensions .....	4
Safety Precautions.....	4
Installation & Pneumatic Connection .....	5
Direct Installation Diagram.....	6
Installation on Existing NMEA Network Diagram .....	6
Warranty Conditions .....	7

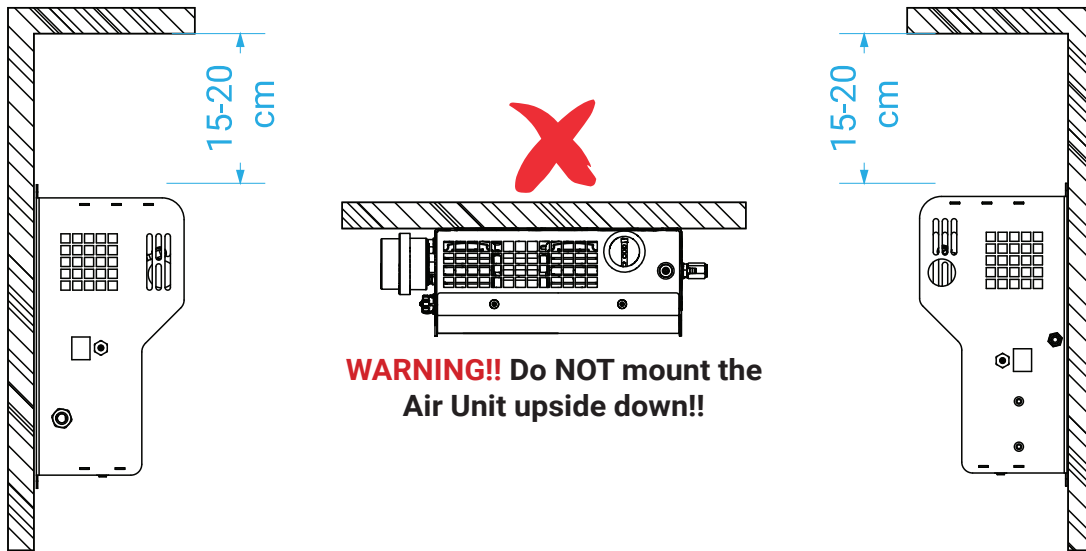
## TECHNICAL DATA & DIMENSIONS



Dimensions (LxWxH) (mm): 334 x 212 x 162		
	12V DC	24V DC
Air Compressor Type	Brushless, Oil-Free	
Compressor Power	300W	
Amps	40 A	17 A
In Line Fuse	50 A	30 A
Max Pressure	4 bar	

**CAUTION!!** Always use the proper type of fuse, according to the table above.

## SAFETY PRECAUTIONS

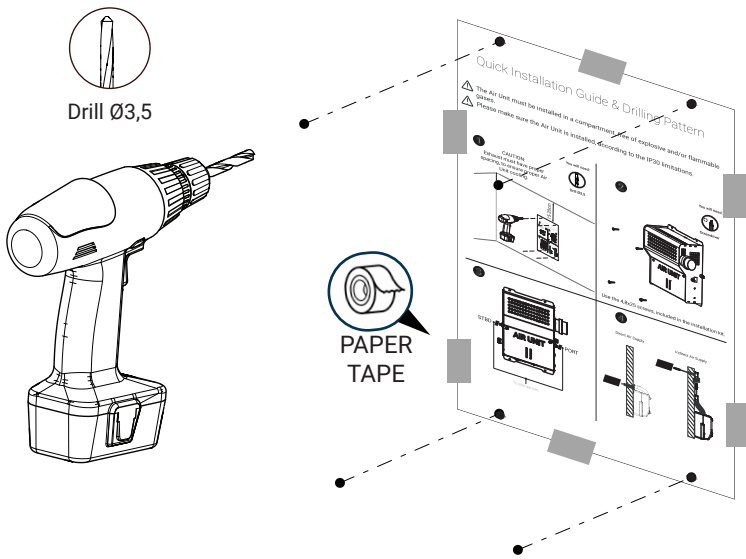


### ! IMPORTANT WARNINGS

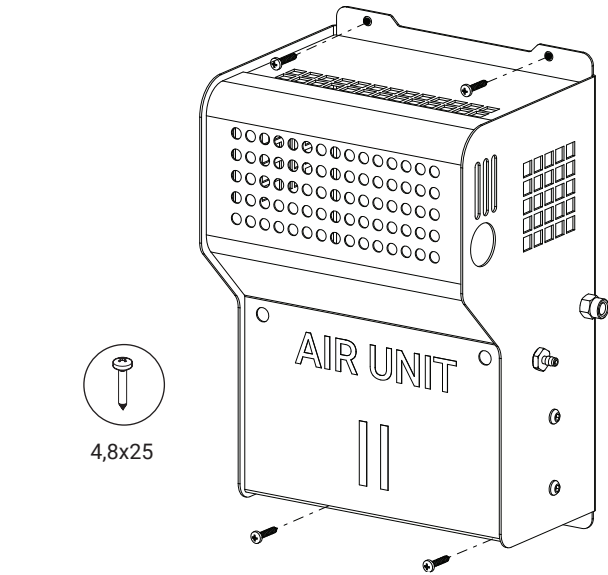
1. Do NOT install the Air Unit near heat sources.
2. The Air Unit must be installed in a compartment, away from explosive and/or flammable gases.
3. It is important to ensure that the Air Unit is installed, according to the IP30 limitations:

**IP30: Protected from tools & wires, greater than 2.5mm - NOT PROTECTED FROM LIQUIDS**

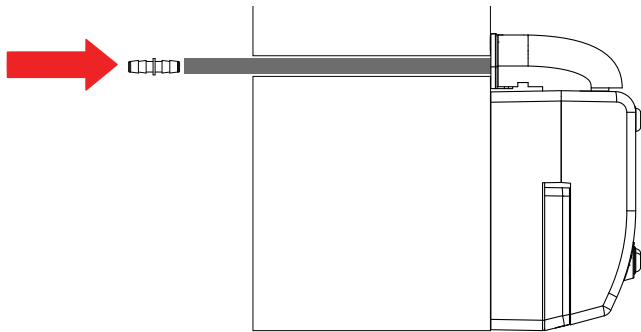
# INSTALLATION & PNEUMATIC CONNECTION



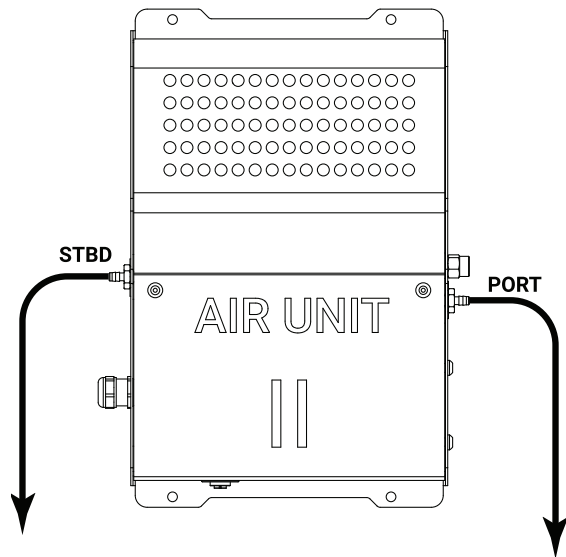
1) Place the "Air Unit II - Quick Installation & Drilling Pattern" on the desired mounting surface and drill, with 3.5mm bore.



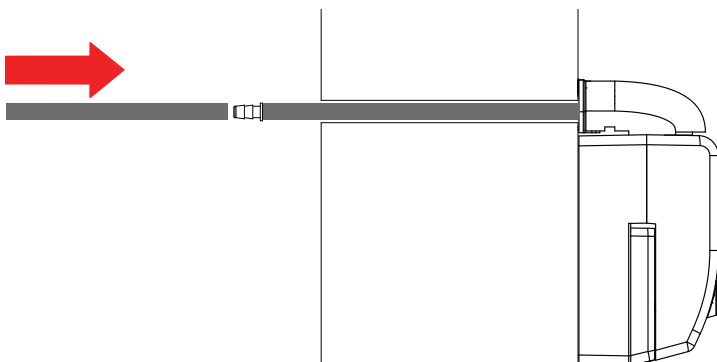
2) Mount the Air Unit II, using the provided screws.



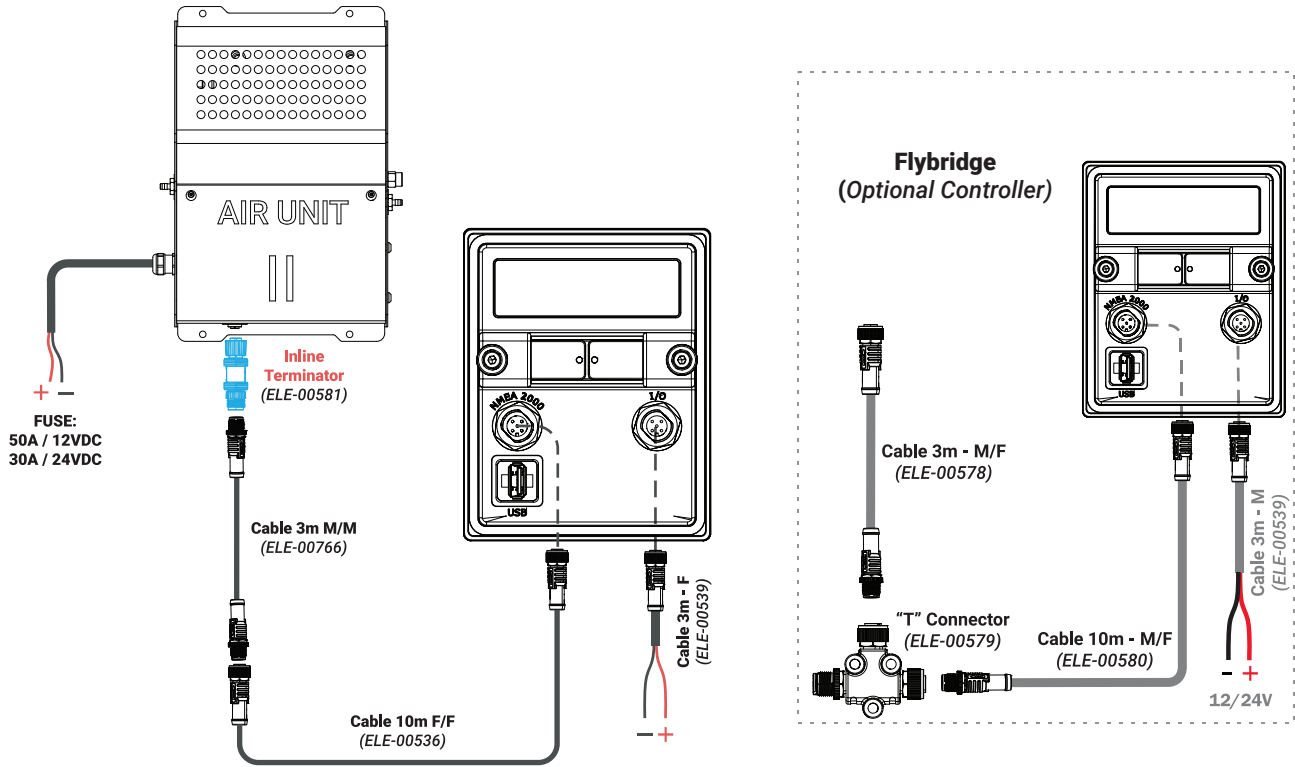
3) Install the hose through the transom and mount the air fitting (REV-00591) into the hose.



4) Cut the 8mm pipe at the proper length and connect the Air Unit to the interceptors, as shown in the images.

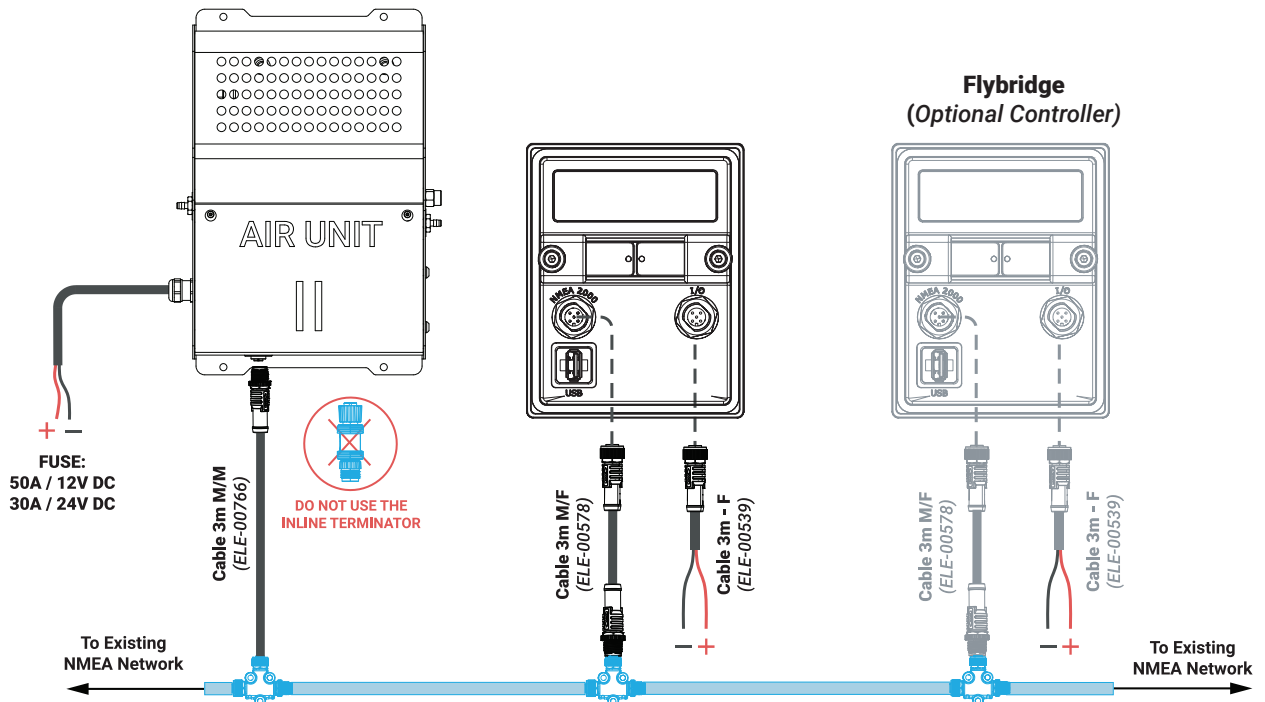


## DIRECT INSTALLATION DIAGRAM



**NOTE:** In case a third NMEA-2K device needs to be added, a proper NMEA Network must be built.

## INSTALLATION ON AN EXISTING NMEA NETWORK DIAGRAM



## WARRANTY CONDITIONS

FW, TS and BT Series Interceptor Units (**NOT complete systems**) are covered by a 5-year Warranty.

SR Series Interceptor Units (**NOT complete systems**) are covered by a 2-year Warranty.

Recoil springs, electrical/electronic parts & devices are covered by a 2-year warranty.

**Anodes (consumables) are not included in the warranty (for BT, FW, TS Series).**

**HydroTab's warranty only covers the costs of repair or spare part replacement.**

It is the sole responsibility of the buyer to choose the correct system, and even after HydroTab's suggestion for a system, the overall responsibility lies to the end buyer.

Provided that the system is installed, according to the provided installation manual, and no damage has been caused, due to improper handling or practices, HydroTab will replace any defective or improperly manufactured parts, within the applicable warranty period.

HydroTab only covers the parts' replacement. **Fitting or shipping costs are not covered by warranty.**

**HydroTab will decide if the company will repair or replace any given part.**

Repaired or replaced products will assume the remainder of the warranty time and **under no conditions will the full time of warranty be renewed.**

Limited warranty period is two (2) years, starting from the date the product ships out from HydroTab's premises.

Extended limited warranty period is provided in case:

- a) *HydroTab trim system is included as equipment of a newly purchased boat directly by from the boat builder or his reseller.*
- b) *HydroTab trim system has been purchased through an authorized Hydrotab dealer.*

The extended limited warranty period is valid for three (3) years from the shipping date, provided that the customer has downloaded, filled & submitted the online registration form within one month (30 days) from the purchase, from the following URL:

**<https://www.hydrotab.gr/product-registration>**

In case the dealer sells separately Interceptor Units, Air Units and/or Controller Units, that comprise a full system, which is not initially sold (as a complete system) by HydroTab, the dealer has the responsibility to provide the individual Serial Numbers for the Interceptors, Air Units and Controllers, as well as to guide the end user for their proper registration, in order for the extended warranty to be valid.

The authorized dealer is responsible for the product's service.

For any service and/or part replacement during warranty period, it is necessary to provide the original invoice. For the replacement of any part of the system (Interceptors, Air Units, Controllers etc.) under warranty, the replaced parts must be returned to HydroTab Marine Engineering for inspection, otherwise the warranty is not valid. Cost of dismantling / assembly and spare parts transportation is borne by the user.

The warranty does not foresee, under any circumstances, replacement of the complete HydroTab system.

### **What the warranty does NOT cover:**

- a) *Damage caused by the lack or non-replacement of worn anodes (applies to BT, FW, TS Interceptor Series).*
- b) *Damage caused by improper installation and/or use not consistent with the manual.*
- c) *Damage with external visible deformation of the product caused by misuse of the user or other external causes.*
- d) *Damage to any component caused during transportation, installation or repair from non-authorized personnel.*
- e) *Conversions or modifications made after the initial sale.*

N. Triantafyllis Ltd (HydroTab Marine Engineering) is not liable for any incidental, indirect or consequential damages or losses, including, without limitation: travel expenses, transport, lifting & hauling, costs, loss of income, time, property, and/or profits, personal injury or damage of any products, different from those that the company distributes. Any further (except the above mentioned) commitment of the intermediate dealer regarding the sale terms or servicing of Hydrotab products does not create any liability of our company.



4, Papazoglou Str.  
GR-17778 Athens  
Greece  
email: [info@hydrotab.gr](mailto:info@hydrotab.gr)  
website: [www.hydrotab.gr](http://www.hydrotab.gr)