



Marine Engineering



NMEA 2000  
NMEA 0183

# Hydrotab FX Series Installation Manual

## **Disclaimer**

The interceptor units are also steering equipment and it is the sole responsibility of the navigator-operator to ensure that, at any point, any problem that will alter the boat's course, rising from malfunction of interceptors, should be dealt immediately by the operator. At no circumstances, fault of our interceptor equipment leading to any kind of accident, creates liability for the manufacturer.

## **Trademark Notice**

Hydrotab is a registered trademark of Olympic Engineering Ltd, Greece. All other trademarks, trade names or company names referenced herein are used for identification only and are property of their respective owners.

## **Patent Notice**

The Hydrotab products are protected by patents and industrial design patents, patents pending or design patents pending.

## **Declaration of conformity**

This product conforms to the following Electromagnetic Compatibility (EMC) regulations and standards for use in marine environments.

CE EN 60945

## **Technical information and Documentation**

The technical information provided in this document was accurate and correct at the corresponding production time of the Hydrotab interceptors. Our operating principal for improving the manufactured product, may lead to changes regarding its specifications without prior notice. Liability will not be accepted for any inaccuracy considering the product and the user manual.

## **Fair use statement**

This manual can be printed or copied for your own use only. Copies should not be provided to third parties and manual should not be commercialized.

## **Product Disposal**

Waste removal of this product must be according to the Waste Electrical and Electronic Equipment (WEEE) Directive.

## **Product Registration**

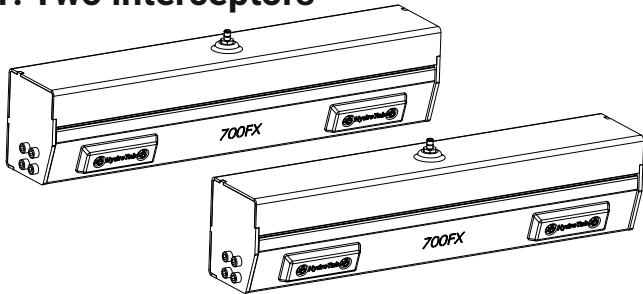
Please register your product online in order the warranty to be valid.

## Table of Contents

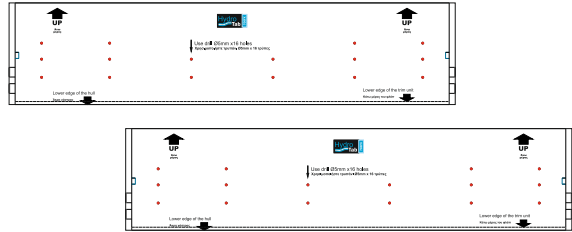
|   |    |
|---|----|
| Disclaimer                                  | 2  |
| Installation Kit                            | 4  |
| Required Tools for Installation             | 5  |
| Before Installation                         | 5  |
| Safety precautions                          | 5  |
| Proper Interceptor Installation in Transom  | 6  |
| Interceptor Installation                    | 7  |
| Spare Parts List - Model: 700FX (ASM-01403) | 9  |
| Warranty Conditions                         | 10 |
| Registration                                | 11 |

# Installation Kit

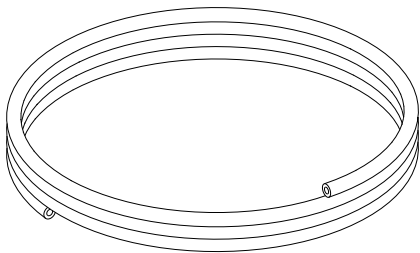
## 1. Two interceptors



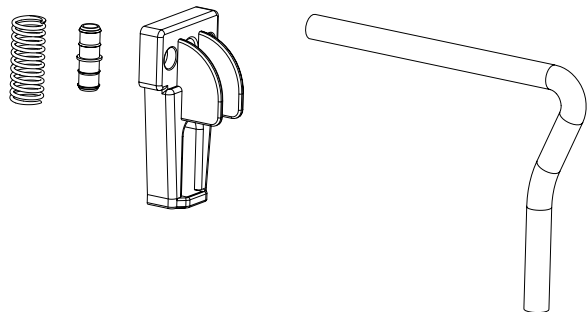
## 2. Two interceptor drilling patterns




## 3. Pipe 12mm




## 4. Fittings



## 5. Screws

 Interceptor mounting screws (6,3x32)

 Fitting mounting screws (4,8x25)

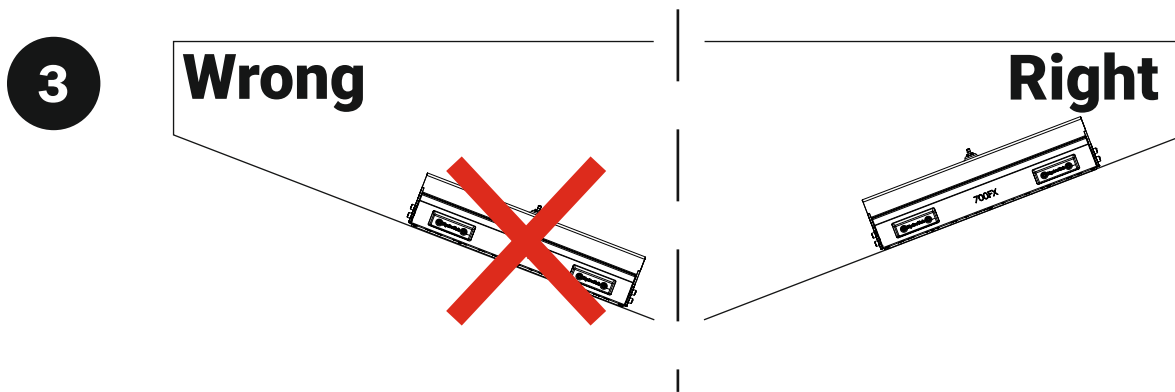
## Required Tools for Installation



## Before Installation

Make sure there are no obstructions behind the drilling area (tanks, fuel lines, cabling) which can be damaged or prevent the installation (Figure 1).

**Attention!** Please make sure that the pipe insertion hole is accessible from the engine room (Figure 2).

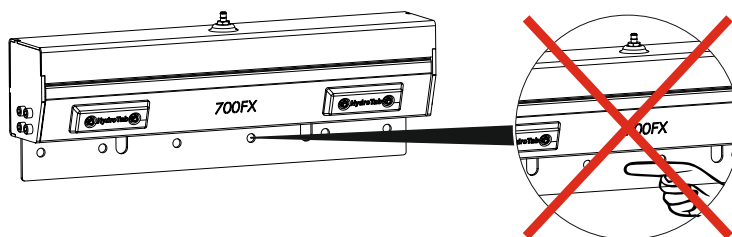


A good hint is that the closer the units are to the water line, the best the bank control of the boat will be (Figure 3).

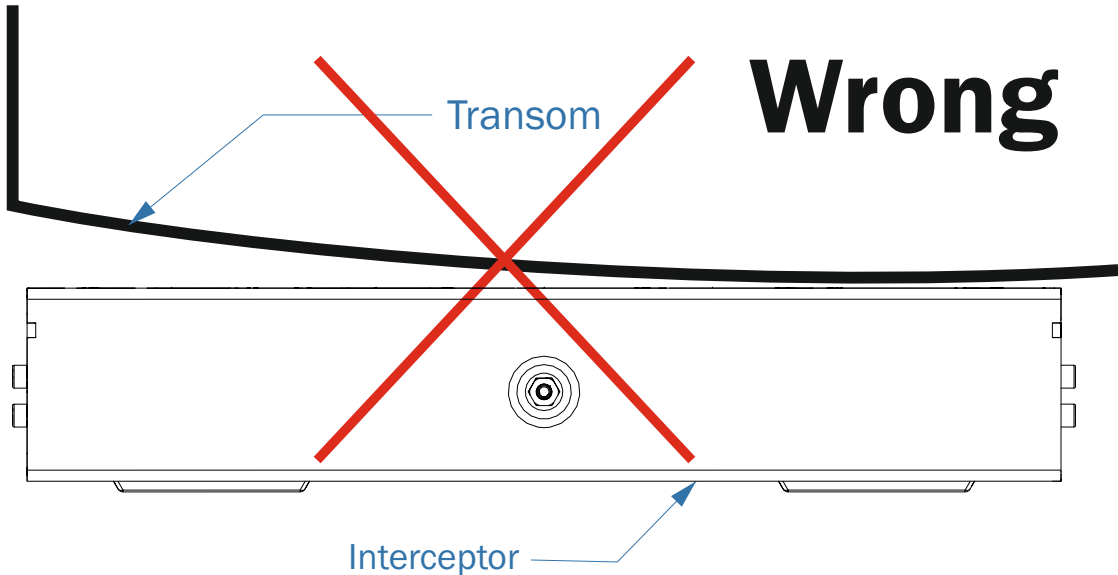
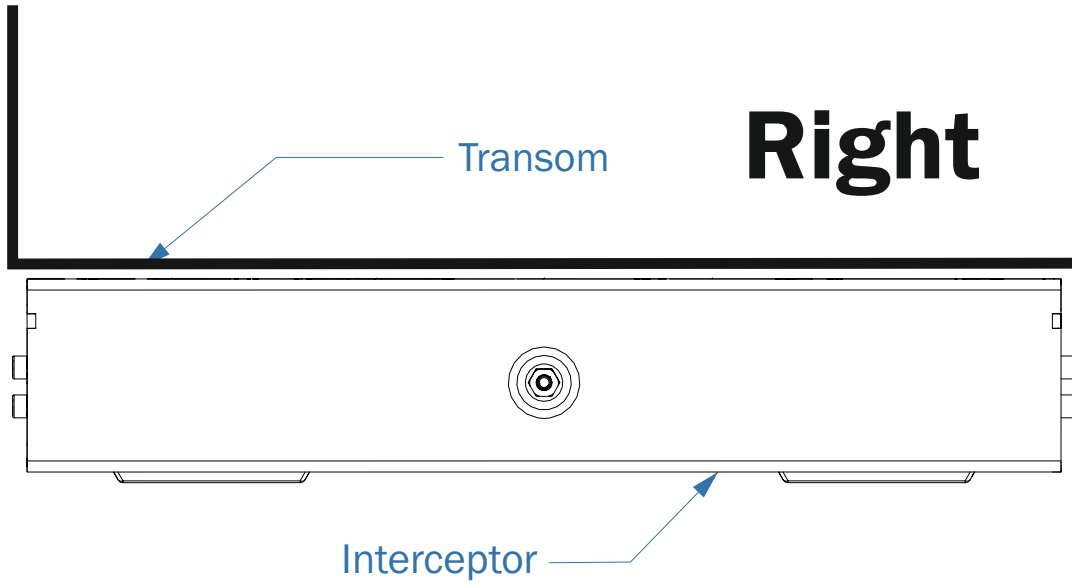
## WARNING!

### Safety precautions

1. Place air unit in a dry space free of flammable or explosive gases.
2. For high speed boats, overtrim may cause unexpected turn.
3. Improper use of trim tabs may result to accident or injury.
4. DO NOT PLACE YOUR FINGERS THROUGH THE BLADE HOLES, when blade is extended!

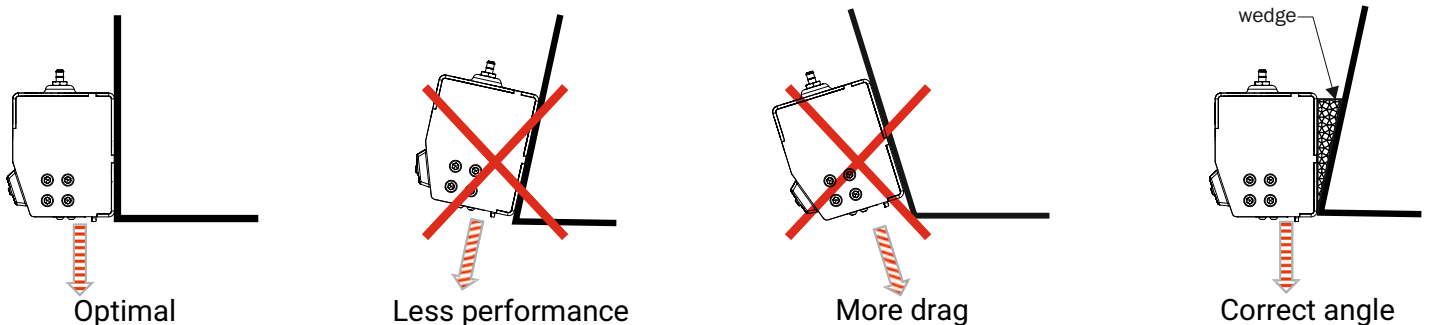


**Proper interceptor installation in transom**



If the boat's transom has a significant curvature, it is necessary to create a flat plane for the installation (acceptable flatness tolerance: 2mm).

For aluminum hulls, it is suggested Isolation Plates between hull and interceptors to be installed. You can find installation instructions in the Isolation Plates Kit.



For maximum performance and less drag, install interceptors on the transom so blades deploy vertically. If transom is not vertical to water plane, correct the angle by using wedges or other means.

## Interceptor Installation

**5**

Tape

**You will need**

No 3

Drill all the pattern holes with a 3mm bore without removing the pattern.

**6**

**You will need**

No 4 No 5 No 8,5

Remove the pattern and drill according to the pattern indications.

**7**

**You will need**

Sikaflex Gun

Apply sealant Sikaflex 291 to the holes.

**8**

**You will need**

Spatula

Use a spatula to clean the excessive glue from the holes.

**9**

**You will need**

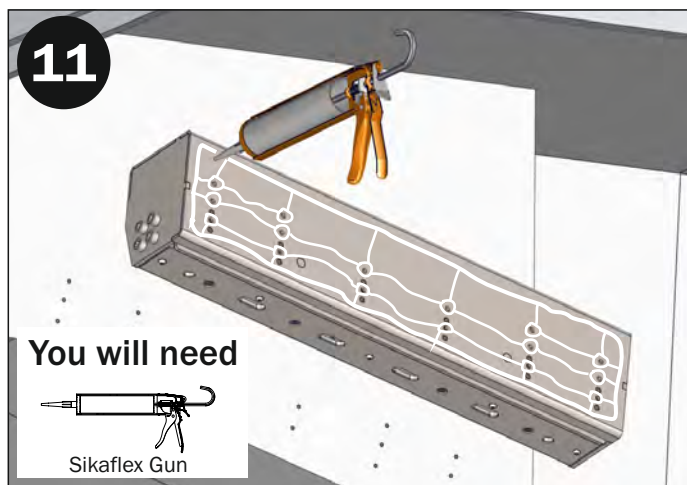
4mm  
Allen Key No 4

Remove the front cover screws.

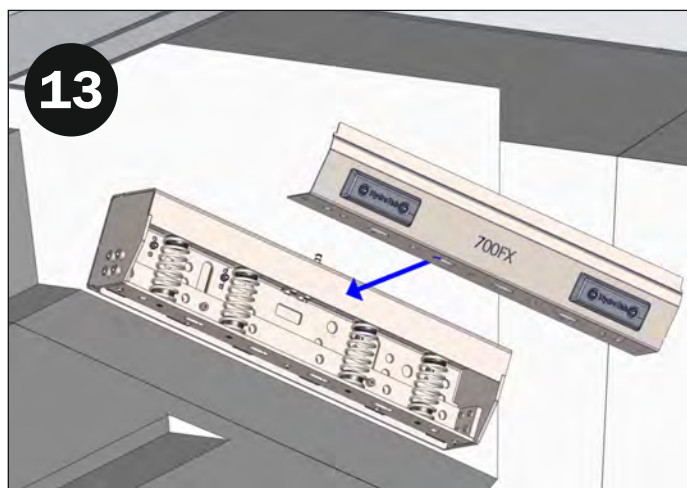
**10**

Remove the front cover.

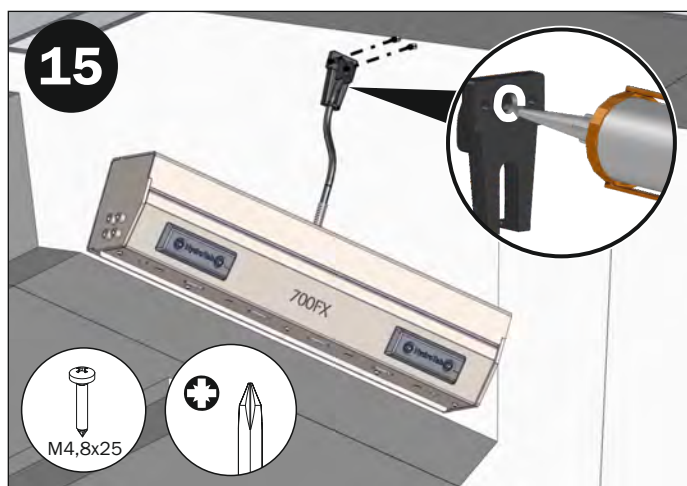
## Interceptor Installation



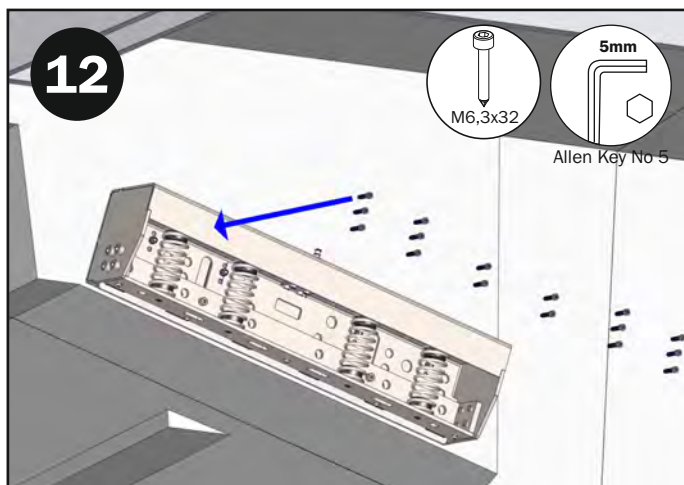
Apply Sikaflex to the interceptor.



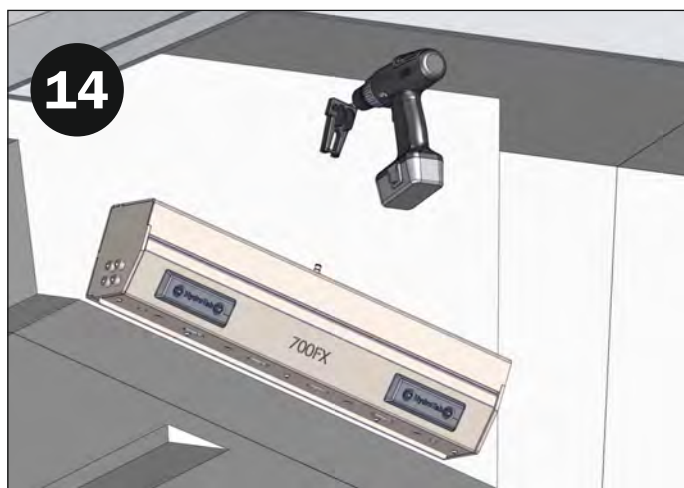
Mount the front cover to the interceptor.



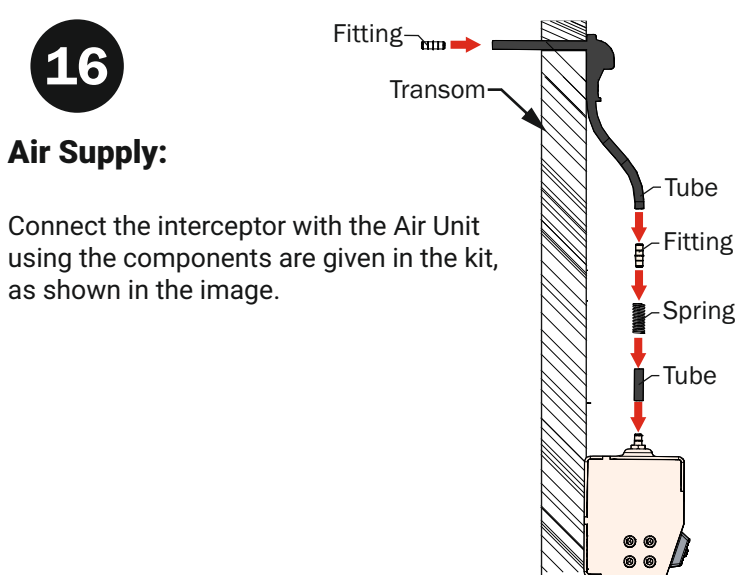
**Attention:** before mounting the tube holder, apply Sikaflex as shown in the image. Mount the tube holder to the transom and connect the 8 interceptors with the air unit.



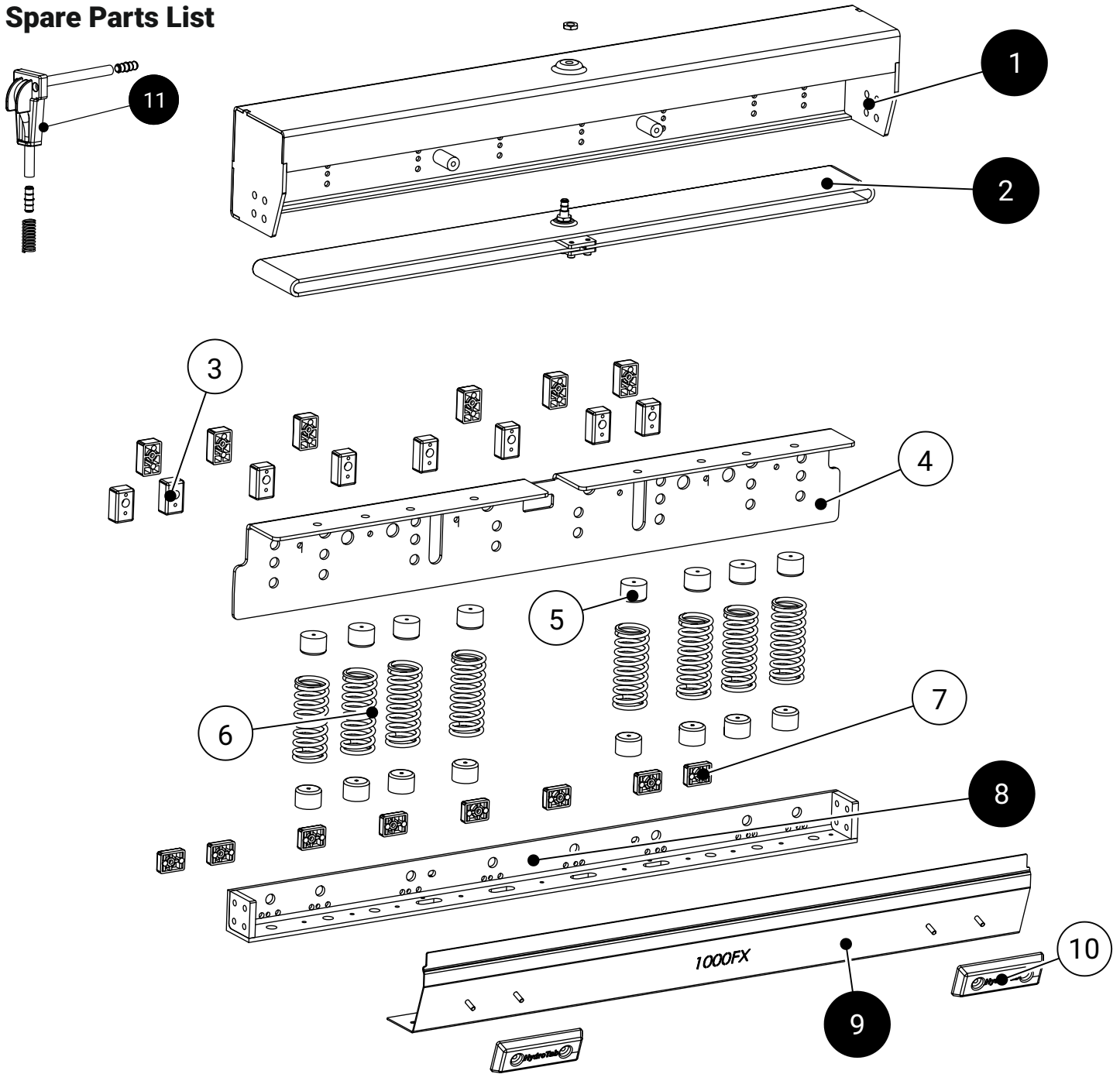
Mount the interceptor to the transom with the given washers and screws.



Drill the transom, at the tube holder holes with a 12mm bore for the middle (tube passing-thru) hole, and with a 3,8mm bore for the other two (mounting) holes.



### Spare Parts List



| ID No. | INTERCEPTOR |           |           | DESCRIPTION        |
|--------|-------------|-----------|-----------|--------------------|
|        | 700FW       | 800FW     | 1000FW    |                    |
| 1      | ASM-01409   | ASM-01413 | ASM-01417 | Body               |
| 2      | ASM-01410   | ASM-01414 | ASM-01418 | Inflatable tubular |
| 3      | GEN-00025   |           |           | Plastic guides     |
| 4      | LAS-01350   | LAS-01346 | LAS-01328 | Interceptor blade  |
| 5      | REV-00610   |           |           | Spring Guides      |
| 6      | SPR-00039   |           |           | Spring             |
| 7      | GEN-00018   |           |           | Plastic guides     |
| 8      | ASM-01411   | ASM-01415 | ASM-01419 | Bar                |
| 9      | ASM-01412   | ASM-01416 | ASM-01420 | Cover              |
| 10     | GEN-00540   |           |           | Aluminum Anode     |
| 11     | ASM-01421   |           |           | Air input fitting  |

### Warranty conditions

FW, TS and BT Series Interceptor units (and not complete systems) are covered by a 5-year Warranty.  
SR Series Interceptor units (and not complete systems) are covered by a 2-year Warranty.  
Recoil springs, electrical/electronic parts and devices come with a 2-year warranty.  
Anodes (consumables) are not included in the warranty (for BT, FW, TS Series).  
Hydrotab's warranty only covers the repair or replacement of spare parts.

### System selections

It is the sole responsibility of the buyer to choose the correct system and even with Hydrotab's suggestion for a system, the overall responsibility is with the buyer.

### Limited warranty

Provided that the system has been installed in accordance with the installation manual we provide, and no damage has been caused due to improper handling or practices, Hydrotab will replace any defective parts or parts that failed due to improper manufacturing within the applicable warranty period.  
Hydrotab only covers the parts' replacement. Fitting or shipping costs are not covered by warranty.  
Hydrotab will select if we will repair or replace any given part.  
Repaired or replaced products will assume the remainder of the warranty time and under no conditions will the full time of warranty be renewed.

### Limited warranty periods

Limited warranty period is two years (2 years) from the product shipment from our premises.

### Extended limited warranty period

It is provided in case:

- a) Hydrotab trim system is included as equipment of a newly purchased boat directly by from the boat-builder or his reseller.
- b) Hydrotab trim system has been purchased through a Hydrotab dealer.

The extended limited warranty period is valid for three (3) years from the shipping date, provided that the customer has downloaded, completed and submitted the online registration form within one month (30) days from the purchase in the following url.

<https://www.hydrotab.gr/product-registration>

In case the dealer sells separate units of Interceptors, Air Units and Controllers that constitute a full system that is not initially sold (as a complete system) by Hydrotab, the dealer has the responsibility to provide the separate Serial Numbers for the Interceptors, Air Units and Controllers and guide the end user for the proper registration of his serial numbers for the extended warranty to be valid.

The authorized dealer is responsible for the product's service.

For any services or spare parts requirements and replacements during warranty period, the original invoice is necessary to be presented.

For the replacement of any part of the system (interceptors, Air Unit, any controller etc.) under warranty, the replaced parts must be returned to Hydrotab Marine Engineering for inspection, otherwise warranty is not valid.  
Cost of dismantling - assembly and spare parts transportation is borne by the user.

The warranty does not foresee, under any circumstances, replacement of the whole Hydrotab system.

### What is not covered by the warranty:

Damage caused by the lack or non-replacement of worn anodes (for BT, FW, TS Series).  
Damage caused by improper installation and use not consistent with the manual.  
Damage with external visible deformation of the product caused by misuse of the user or other external causes.  
Damage to any component caused during transportation, installation or repair from non-authorized personnel.  
Conversions or modifications made after the initial sale.

N. Triantafyllis Ltd (Hydrotab Marine Engineering) is not liable for any incidental, indirect or consequential damages or losses, including, without limitation: travel expenses, transport, lifting and hauling, costs, loss of income, loss of time, loss of property, loss of profits, personal injury or damage of any products, different from those that the company distributes. Any further (except the above mentioned) commitment of the intermediate dealer regarding the sale terms or servicing of Hydrotab products does not create any liability of our company.



Marine Engineering

## Registration



[www.hydrotab.gr/product-registration](http://www.hydrotab.gr/product-registration)

Congratulations for your  
new Hydrotab system!

Please register to activate the  
extended limited warranty





4, Papazoglou str.  
GR-17778 Athens  
Greece  
email: [info@hydrotab.gr](mailto:info@hydrotab.gr)  
website: [www.hydrotab.gr](http://www.hydrotab.gr)