



Marine Engineering



NMEA 2000  
NMEA 0183

**Hydrotab BT installation & Moby Automatic controller**

## **Disclaimer**

The interceptor units are also steering equipment and it is the sole responsibility of the navigator-operator to ensure that, at any point, any problem that will alter the boat's course, rising from malfunction of interceptors, should be dealt immediately by the operator. At no circumstances, fault of our interceptor equipment leading to any kind of accident, creates liability for the manufacturer.

## **Trademark Notice**

Hydrotab is a registered trademark of Olympic Engineering Ltd, Greece. All other trademarks, trade names or company names referenced herein are used for identification only and are property of their respective owners.

## **Patent Notice**

The Hydrotab products are protected by patents and industrial design patents, patents pending or design patents pending.

## **Declaration of conformity**

This product conforms to the following Electromagnetic Compatibility (EMC) regulations and standards for use in marine environments.

CE EN 60945

## **Technical information and Documentation**

The technical information provided in this document was accurate and correct at the corresponding production time of the Hydrotab interceptors. Our operating principal for improving the manufactured product, may lead to changes regarding its specifications without prior notice. Liability will not be accepted for any inaccuracy considering the product and the user manual.

## **Fair use statement**

This manual can be printed or copied for your own use only. Copies should not be provided to third parties and manual should not be commercialized.

## **Product Disposal**

Waste removal of this product must be according to the Waste Electrical and Electronic Equipment (WEEE) Directive.

## **Product Registration**

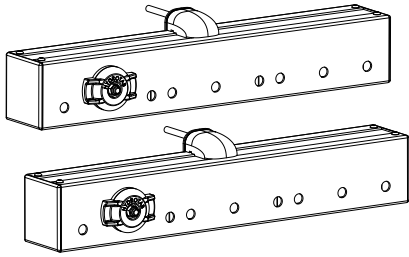
Please register your product online in order the warranty to be valid.

## Table of Contents

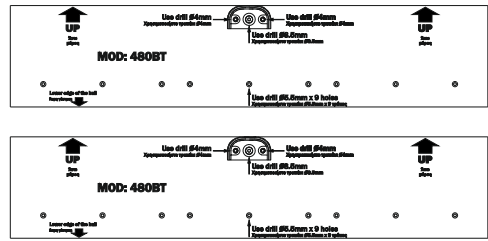
Disclaimer	2
Installation Kit	4
Required Tools for Installation	5
Before Installation	5
Safety precautions	5
Proper Interceptor Installation in Transom	6
Interceptor Installation	7
BT Series Interceptor and Anode Mounting and Coating Instructions	13
Interceptor Installation (Indirect Air Supply)	14
Air Unit Installation	14
Air Unit Fuse Replacement	15
Moby Controller Installation	16
Air Unit: Direct Installation Diagram	17
Air Unit: Installation diagram on existing NMEA Network	17
Double Speed Air Unit: Direct Installation Diagram	18
Double Speed Air Unit: Installation diagram on existing NMEA Network	18
Single Air Unit Electrical Diagram	19
Single Air Unit Pneumatic Diagram	19
Double Speed Air Unit Electrical Diagram	20
Double Speed Air Unit Pneumatic Diagram	20
Spare Parts List - Model: 160BT (ASM-00928)	21
Spare Parts List - Model: 320BT (ASM-00560)	22
Spare Parts List - Model: 480BT (ASM-00561)	23
Spare Parts List - Model: 640BT (ASM-00562)	24
Spare Parts List - Model: 800BT (ASM-00563)	25
Spare Parts List - Model: 960BT (ASM-00564)	26
Spare Parts List - Model: 1500BT (ASM-00940)	27
Spare Parts List - Model: 2000BT (ASM-00941)	28
Spare Parts List - Air Unit (ASM-01065)	29
Spare Parts List - Double Speed Air Unit (ASM-01174)	30
Moby Troubleshooting	31
Warranty Conditions	32

## Installation Kit

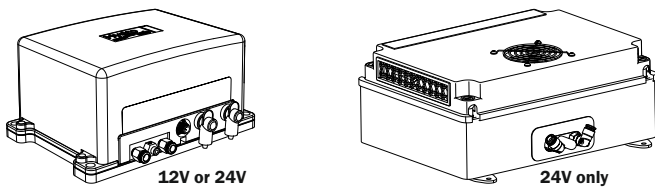
### 1. Two interceptors



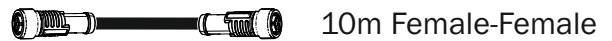
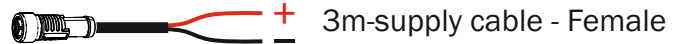
### 2. Two interceptor drilling patterns



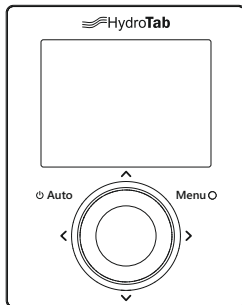
### 3. One Hydrotab AIR unit 12 OR 24VDC



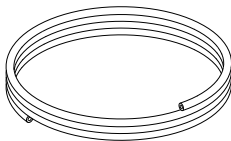
### 4. Cables



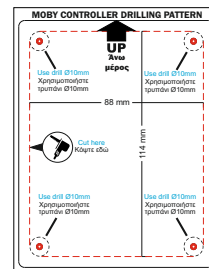
### 5. Moby Controller



### 6. Pipe 8mm



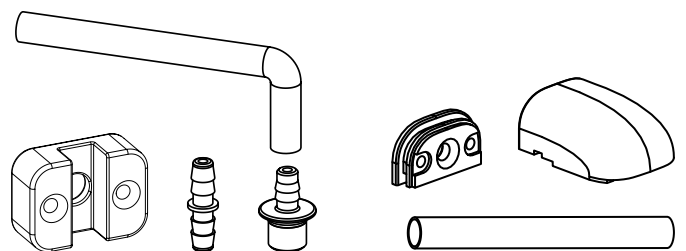
### 7. Moby Controller Drilling Pattern



### 8. Screws

- Air Unit wall mounting screws (4,8x25)
- Interceptor mounting screws (6,3x32)
- Fitting mounting screws (4,8x25)
- Indirect air supply pipe holder mounting screws (3,5x13)

### 9. Fittings



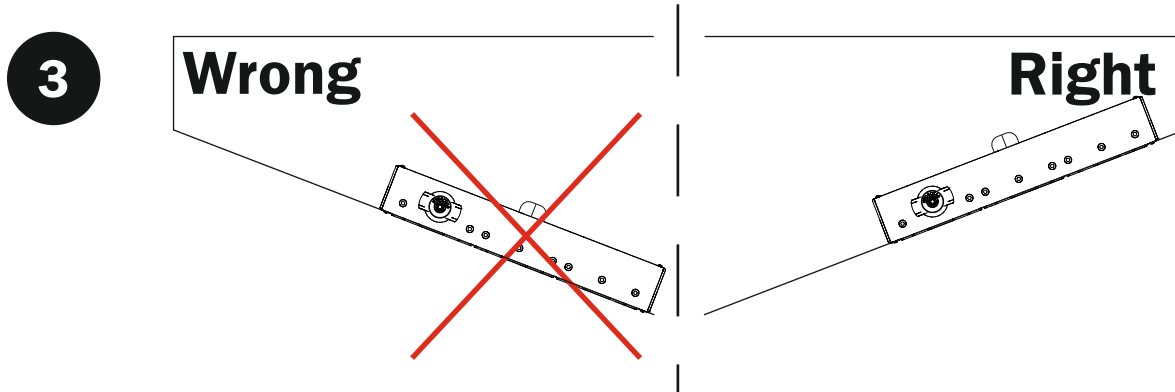
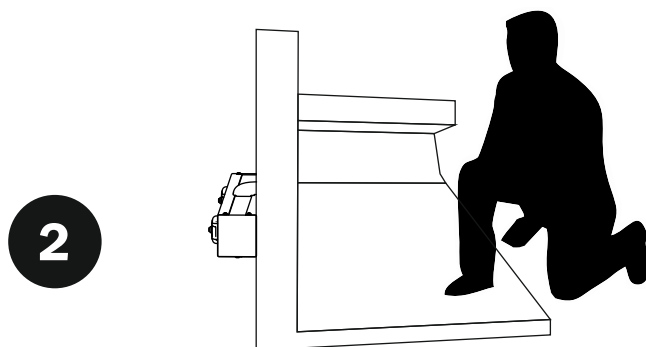
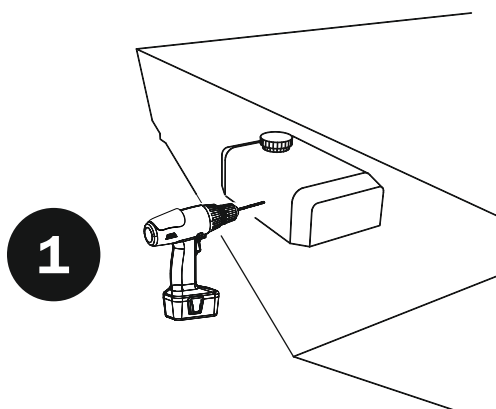
## Required Tools for Installation



## Before Installation

Make sure there are no obstructions behind the drilling area (tanks, fuel lines, cabling) which can be damaged or prevent the installation (Figure 1).

**Attention!** Please make sure that the pipe insertion hole is accessible from the engine room (Figure 2).

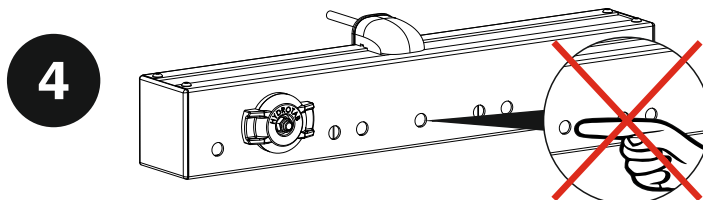


A good hint is that the closer the units are to the water line, the best the bank control of the boat will be (Figure 3).

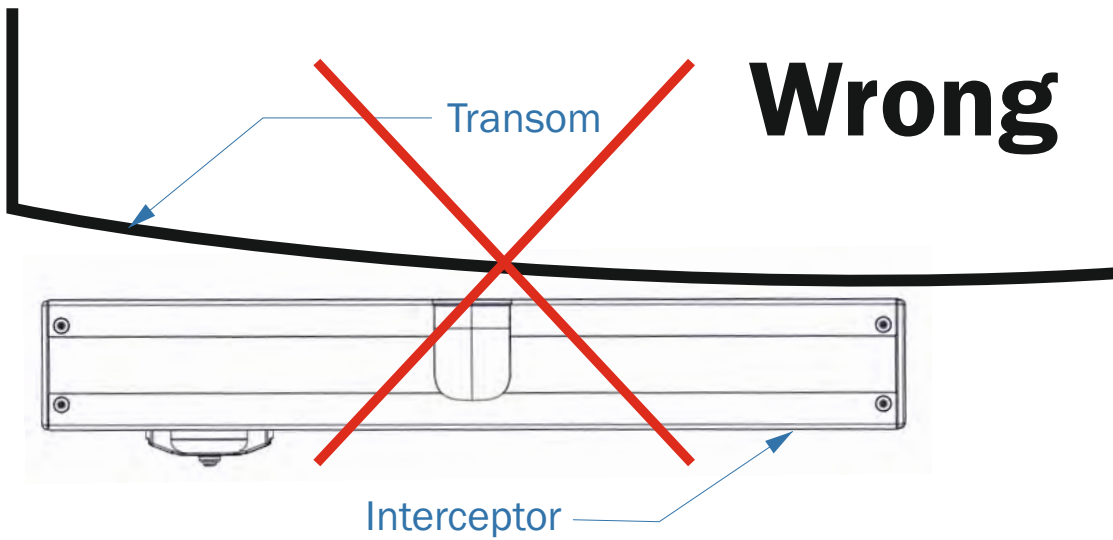
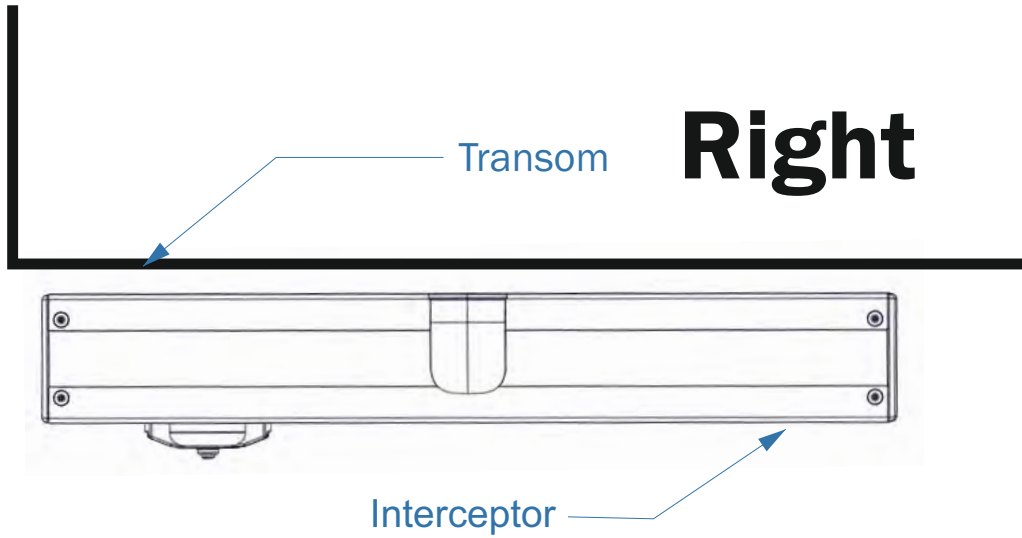
## WARNING!

## Safety precautions

1. For high speed boats, overtrim may cause unexpected turn. Improper use of trim tabs, may result to accident or injury.
2. DO NOT PLACE YOUR FINGERS INSIDE THE INTERCEPTOR, through the front holes (Figure 4). Severe injury danger!!!

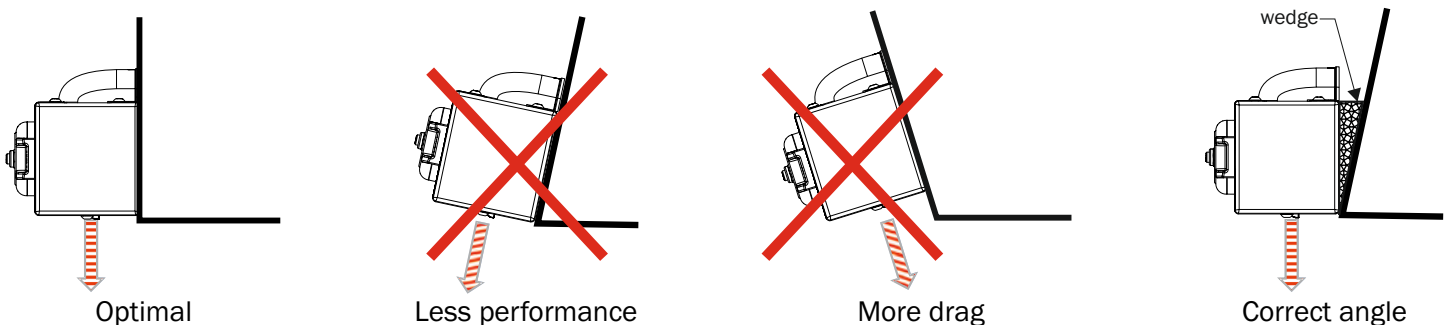


**Proper interceptor installation in transom**



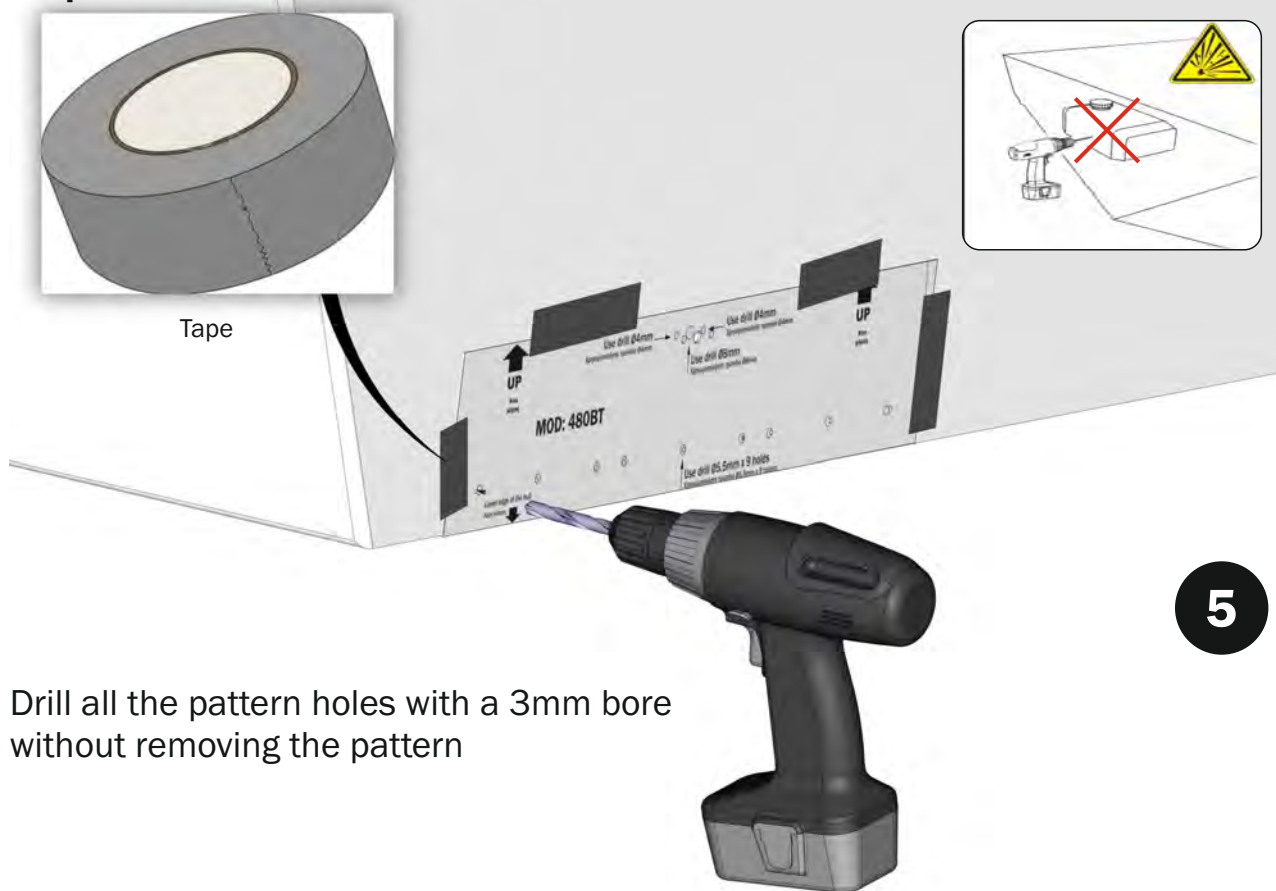
If the boat's transom has a significant curvature, it is necessary to create a flat plane for the installation (acceptable flatness tolerance: 2mm).

For aluminum hulls, it is suggested Isolation Plates between hull and interceptors to be installed. You can find installation instructions in the Isolation Plates Kit.



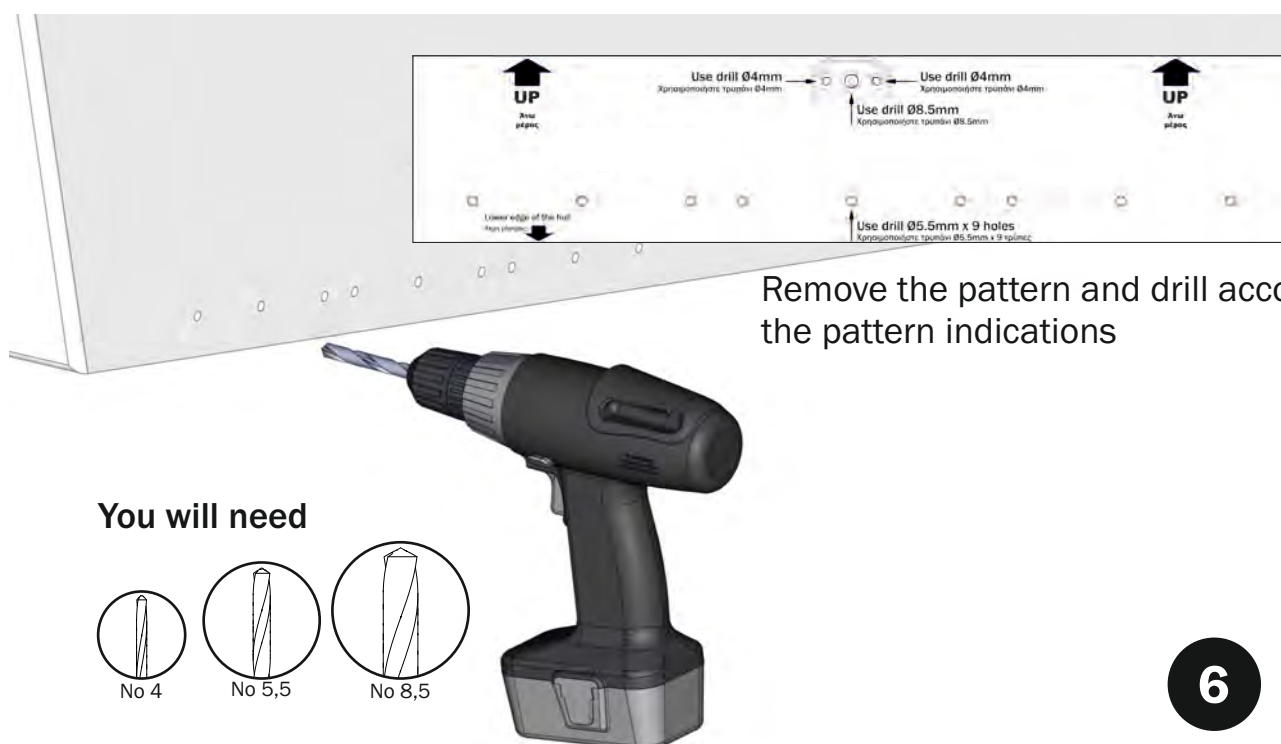
For maximum performance and less drag, install interceptors on the transom so blades deploy vertically. If transom is not vertical to water plane, correct the angle by using wedges or other means.

## Interceptor Installation



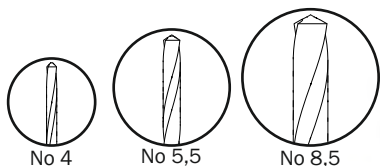
**5**

Drill all the pattern holes with a 3mm bore without removing the pattern



Remove the pattern and drill according the pattern indications

You will need



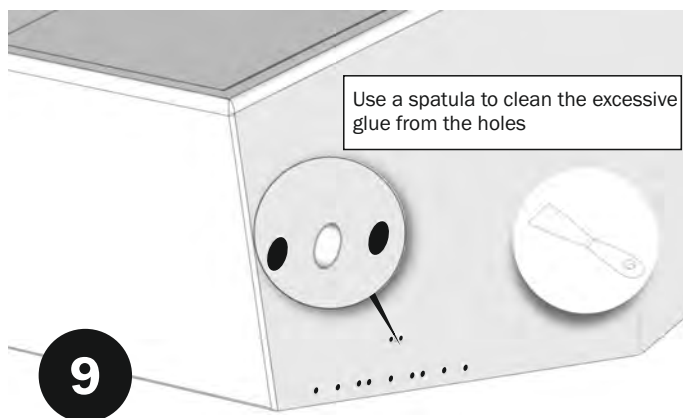
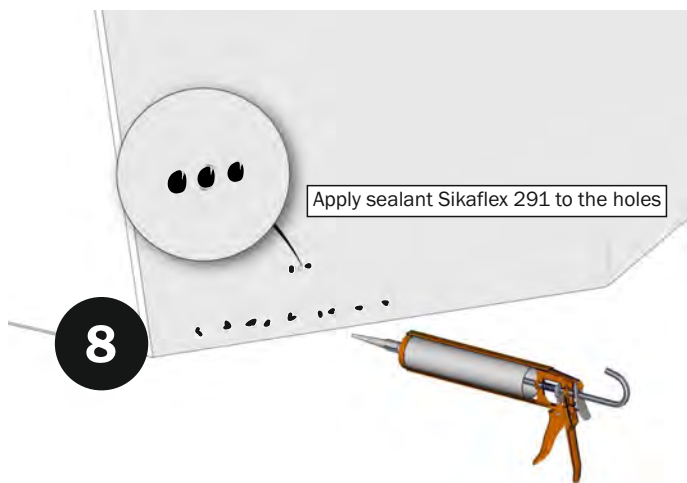
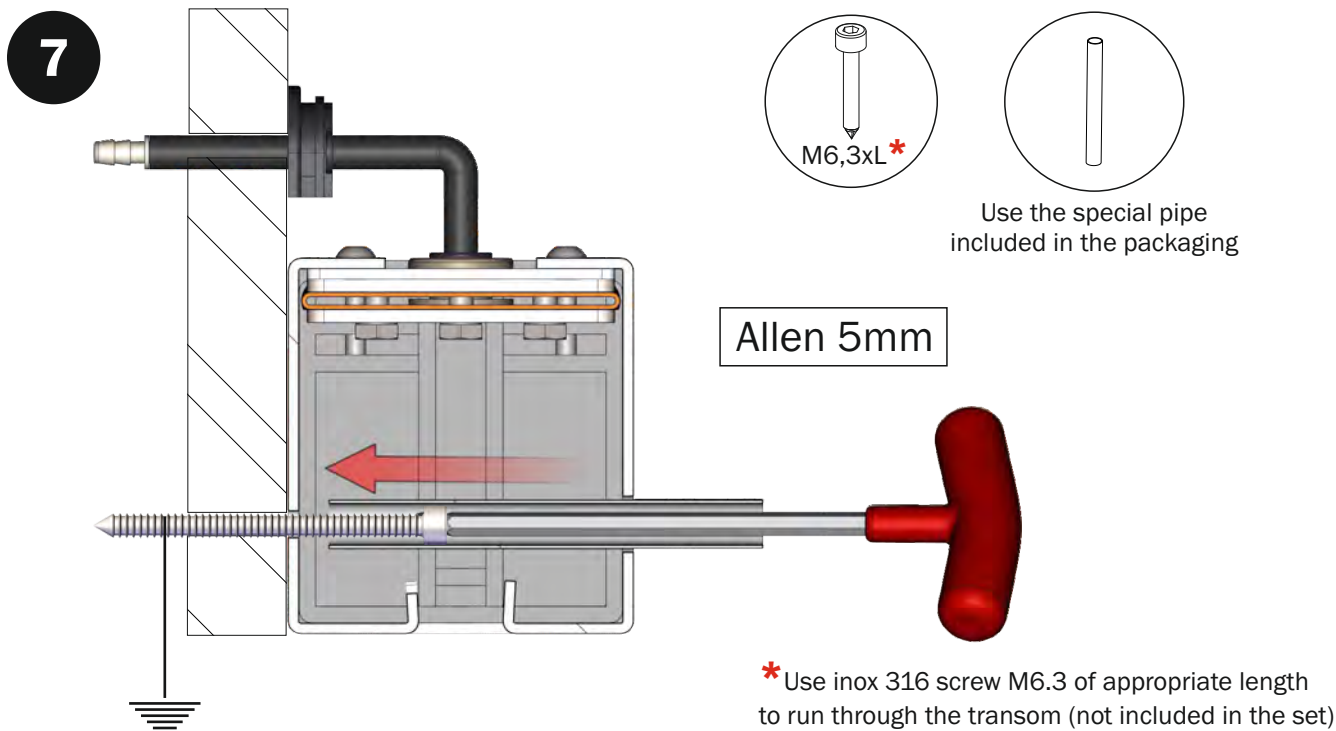
**6**

## Interceptor Installation

### Optional: Connecting Interceptors with Earthing Grid of boat

Except periodical replacement of anodes, you can enhance protection of interceptors from electrolytic corrosion by connecting them to the earthing grid of the boat:

1. Drill through the hull one of the mounting pattern-holes on the transom.
2. Replace one regular self-tapping mounting screw (M6,3x32), with a longer screw (Inox 316,  $\Phi 6.3\text{mm}$ ) so to run through the transom wall (use sealant before tightening the screw).
3. Connect the screw with earthing grid of boat.

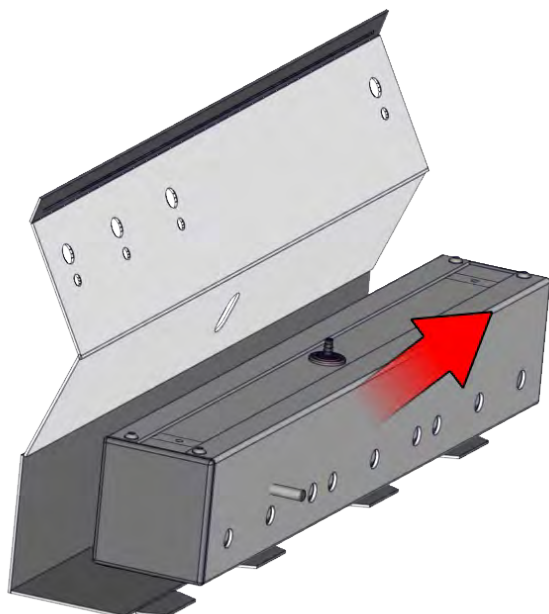


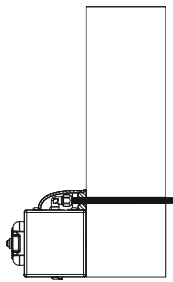
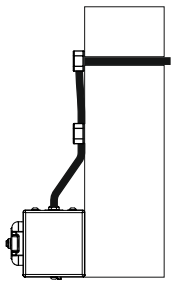


## Interceptor Installation



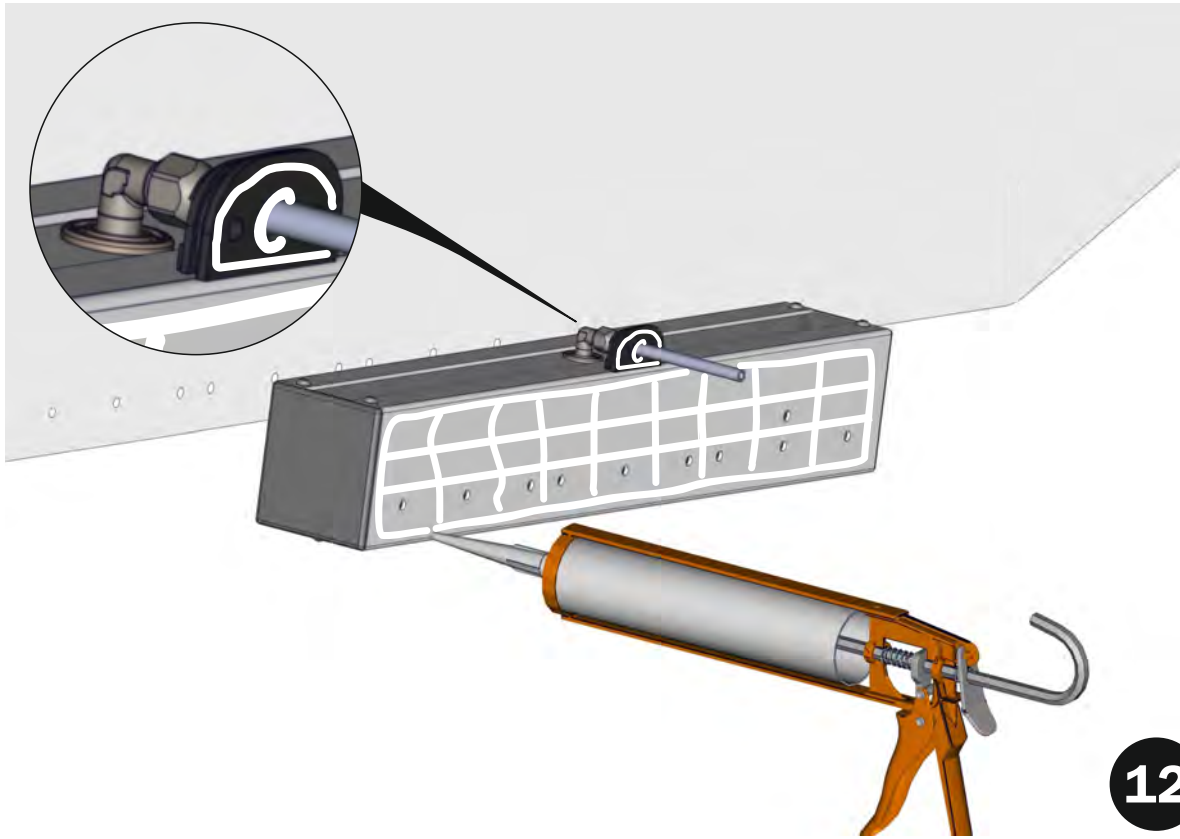
**10**



Direct air supply	<b>Optional:</b> Indirect Air Supply Kit
	

**11**

## Interceptor Installation

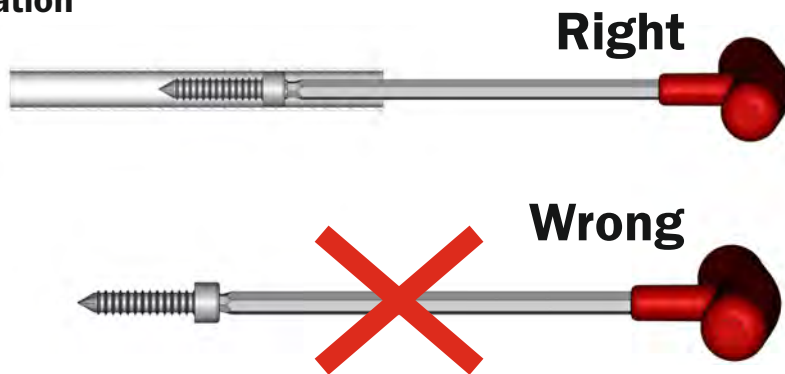


**12**



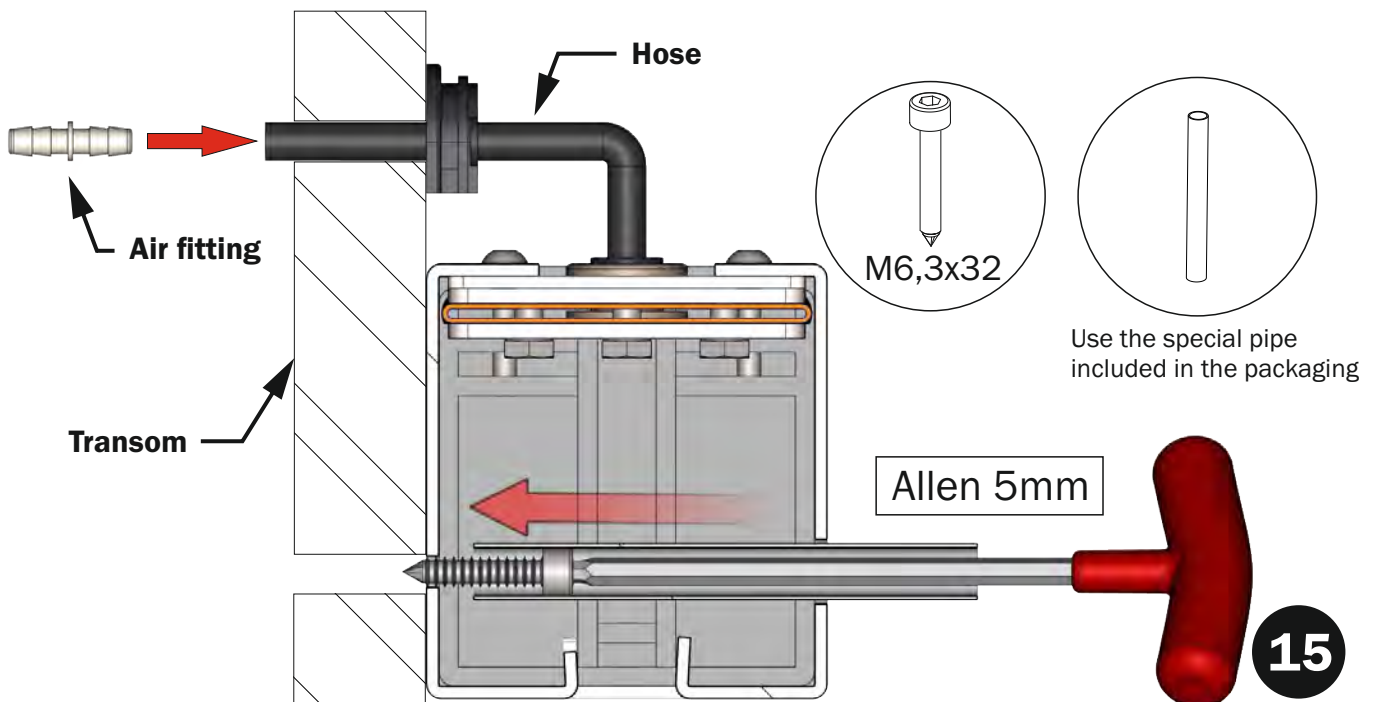
**13**

## Interceptor Installation

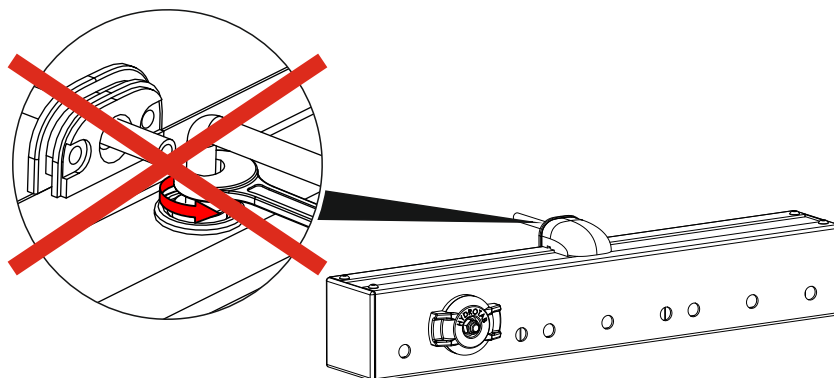


**! WARNING!** Do not try to place the screw without using the guide pipe!  
If the screw falls in the internal of the interceptor, you must disassemble the rear plastic cover, and restore the screw.

**14**

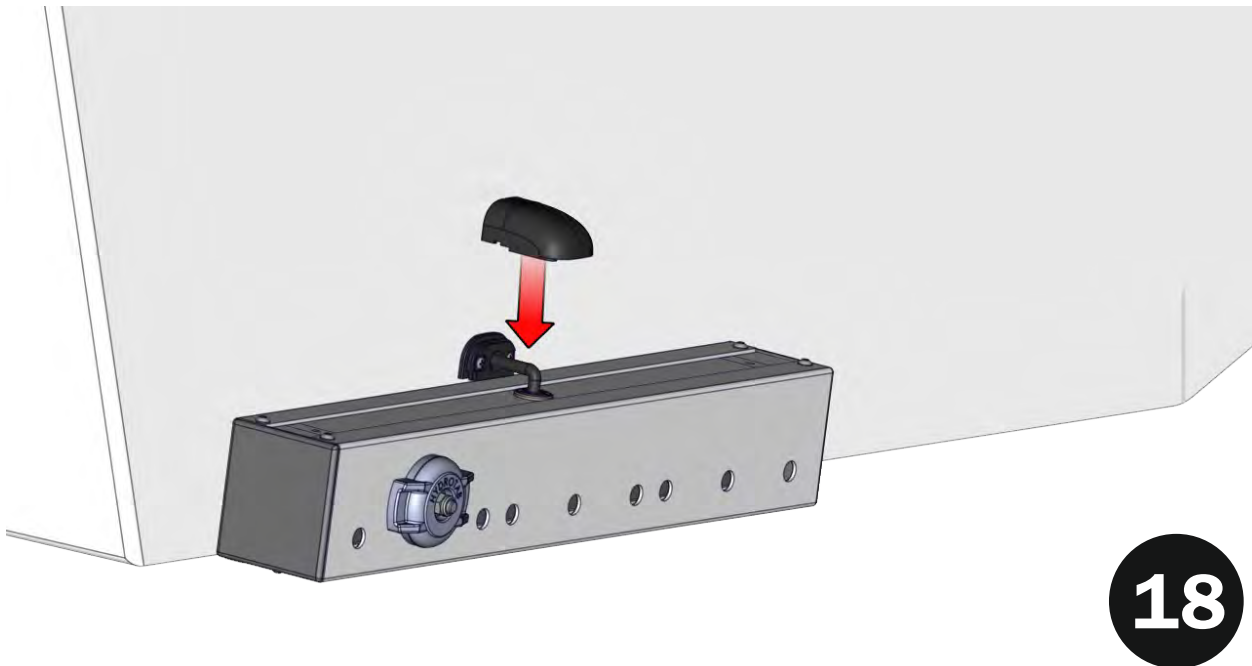
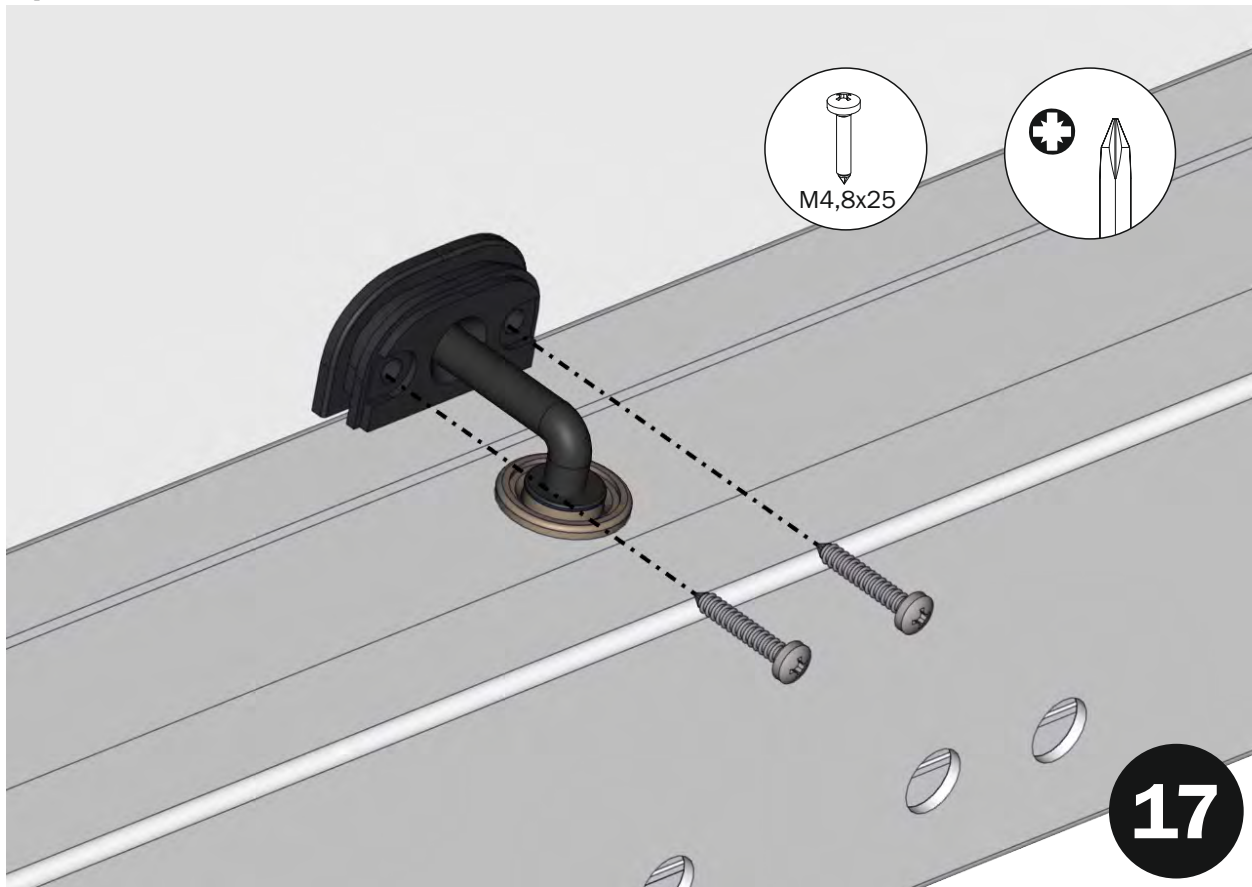


**! WARNING!** After you install the hose through the transom, mount the air fitting into the hose.



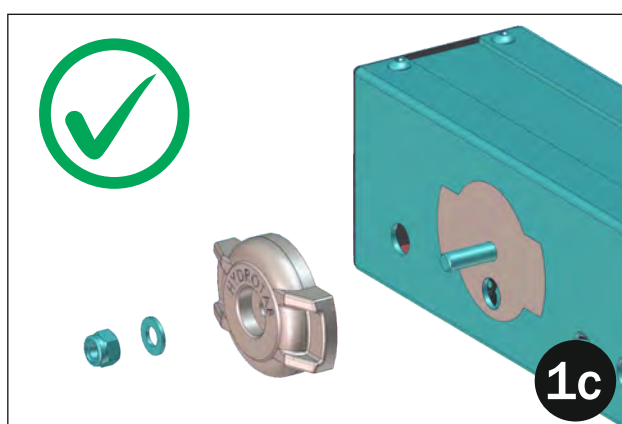
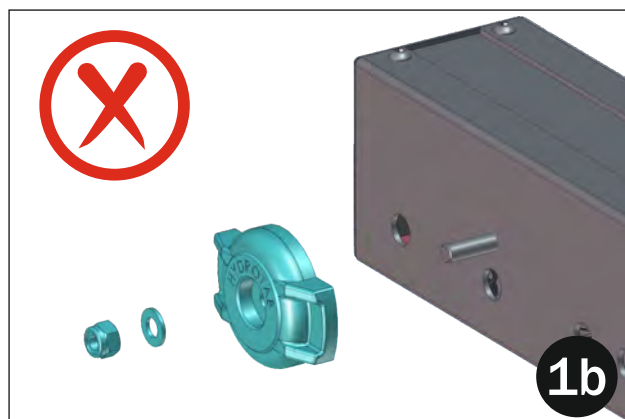
**16**

## Interceptor Installation



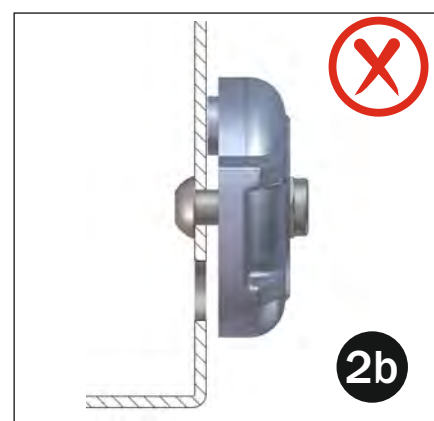
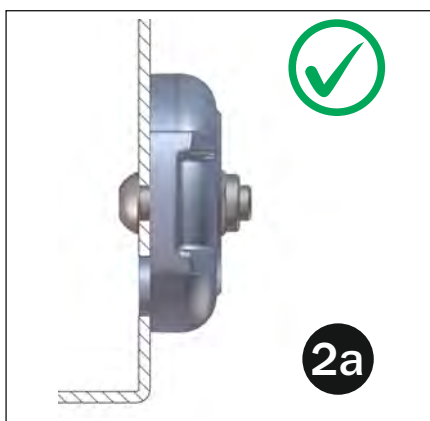
**Attention!** The anodes replacement, depends on the sea water quality you have dropped anchor. As the corrosion of an anode looks like a sponge, for more efficient checking you should touch it to feel that its smooth surface has become porous. We suggest a precautionary monthly inspection and replacement before anodes mass is worn over 50%.

## BT Series Interceptor and Anode Mounting and Coating Instructions



**Note 1:** You may apply protection coating on interceptor if you'd like so, but:

1. Do not apply coating on anodes
2. Do not apply coating on the area of interceptors which is in contact with anode (see Fig. 1a, 1b, 1c).

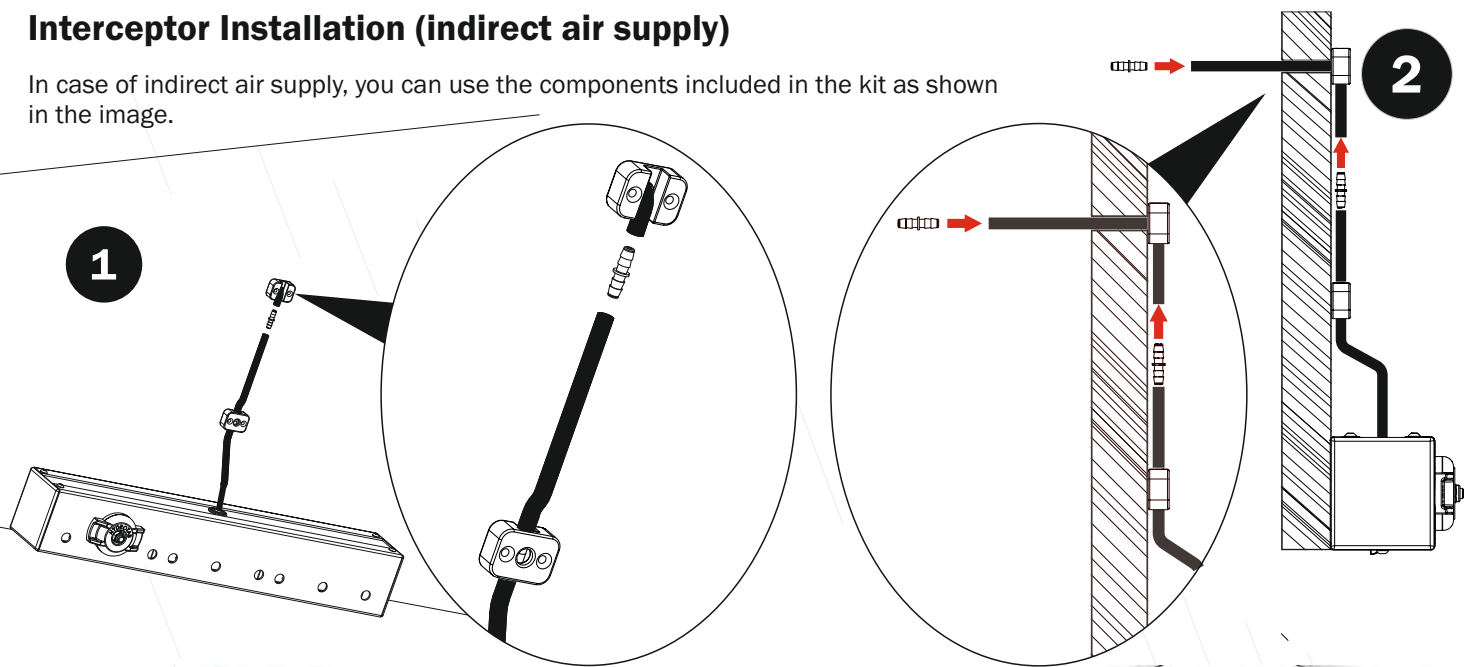


**Note 2:** Mount anode to the interceptor, so the bump of anode fits into the hole of the interceptor. Then tight the mounting bolt so interceptor and anode be in direct contact. (see Fig. 2a, 2b).

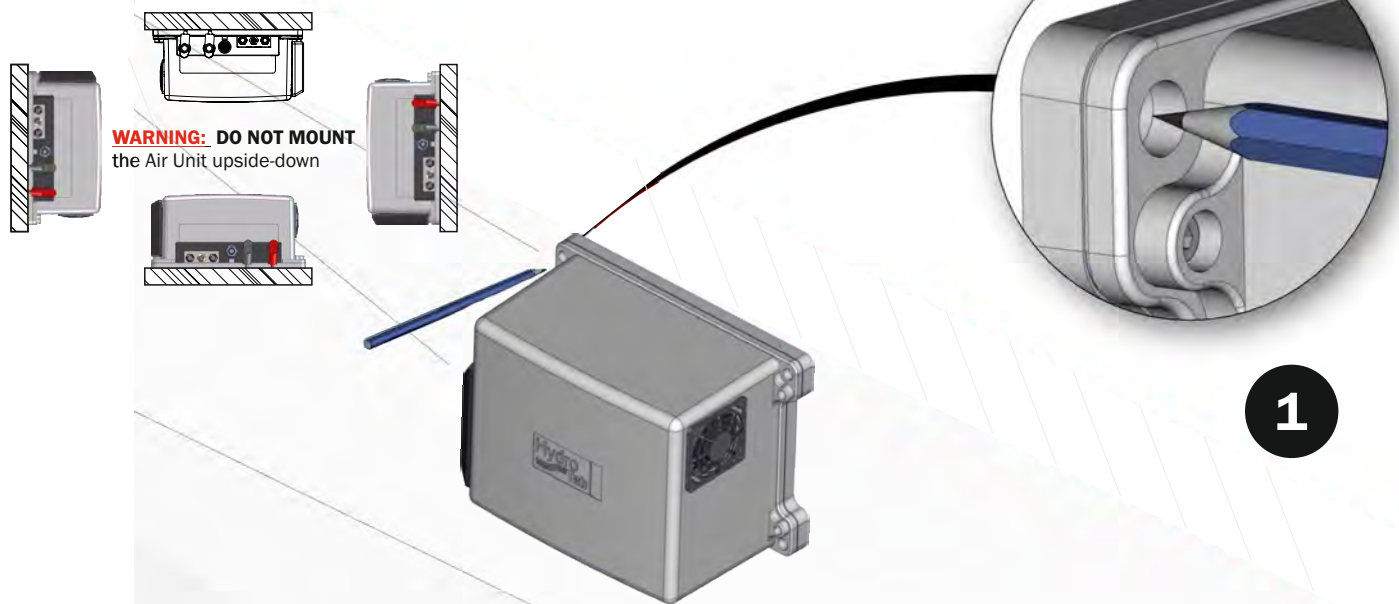
**Note 3:** When in brackish or fresh water, use Magnesium anodes instead of Zinc (Zinc anodes are pre-installed and they are appropriate only for sea-water).

## Interceptor Installation (indirect air supply)

In case of indirect air supply, you can use the components included in the kit as shown in the image.



## Air Unit Installation



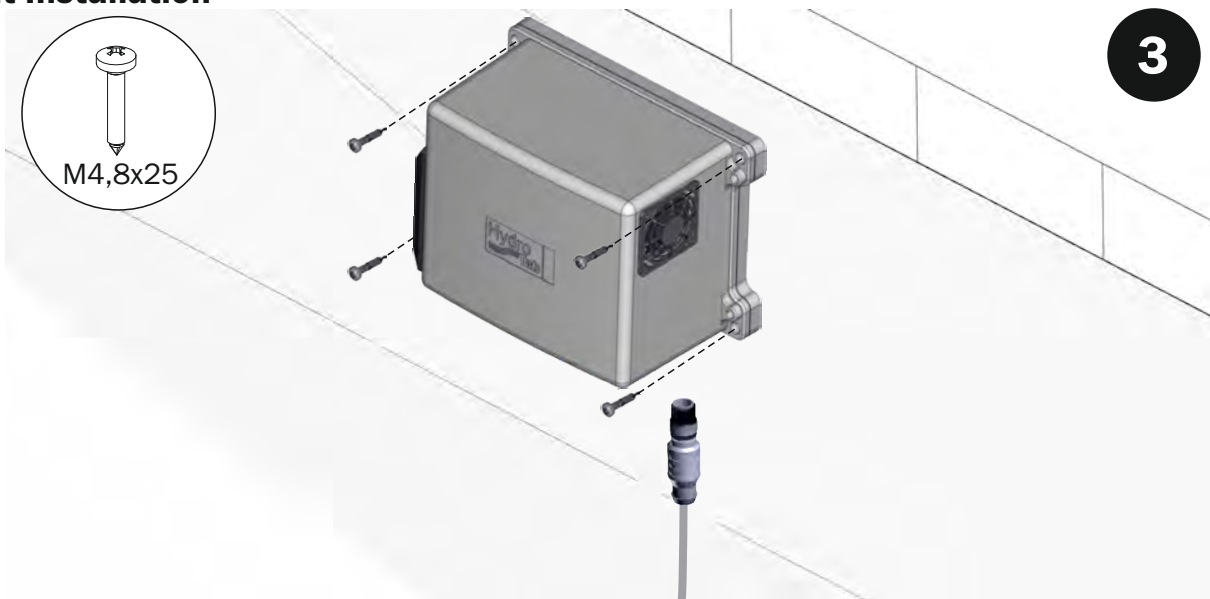
**WARNING:** THE AIR UNIT MUST BE INSTALLED IN A COMPARTMENT **FREE OF EXPLOSIVE OR FLAMMABLE GASES**

**WARNING:** PLEASE INSURE THAT THE AIR UNIT IS INSTALLED ACCORDING TO THE IP30 LIMITATIONS.

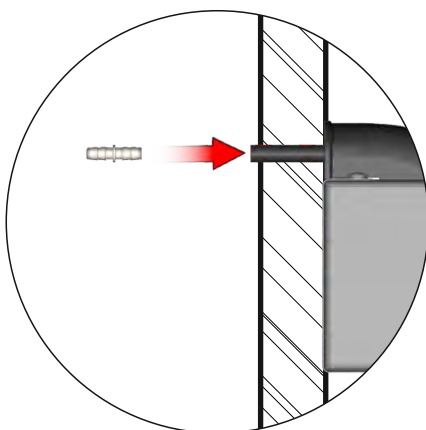
IP30: Protected from tools and wires greater than 2.5 millimeters. Not protected from liquids.



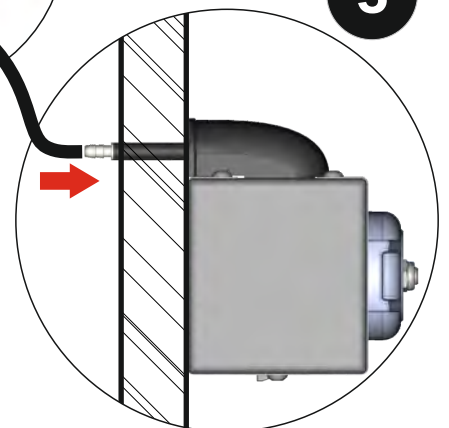
### Air Unit Installation



### Pneumatic Connection



Cut the 8mm pipe at the proper length and connect it to the Air Unit



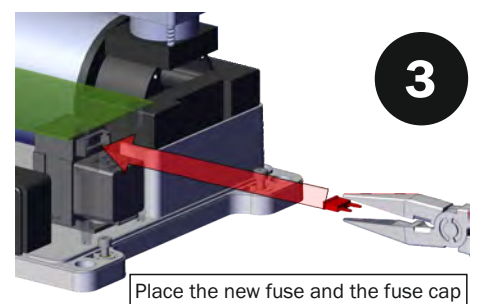
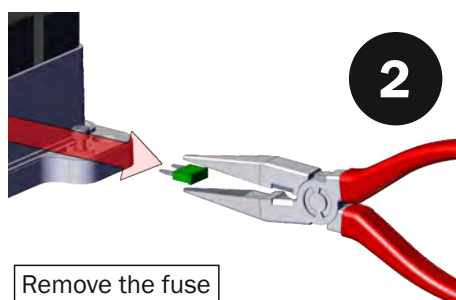
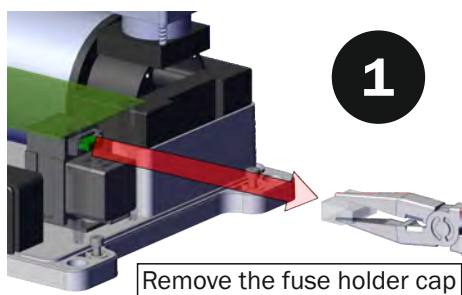
Connect the push-in fitting

**!** After you install the hose through the transom, mount the air fitting into the hose.

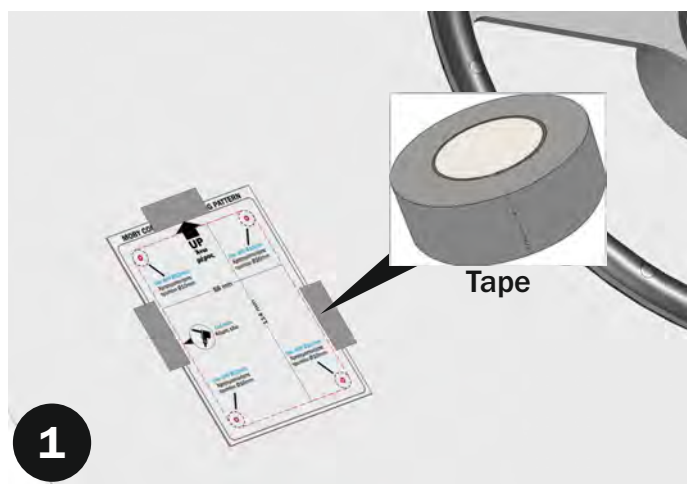
**4**

### Air Unit Fuse Replacement

**WARNING:** Remove carefully the Air Unit Top Cover, and ensure that the mounted cables are not pulled out from the connector



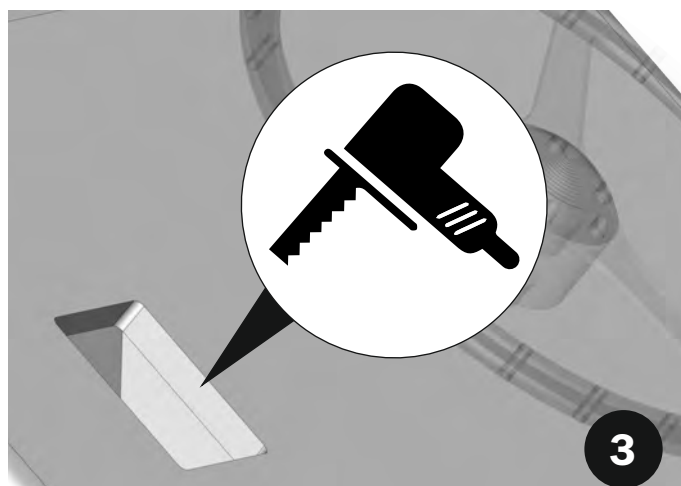
## Moby Controller Installation



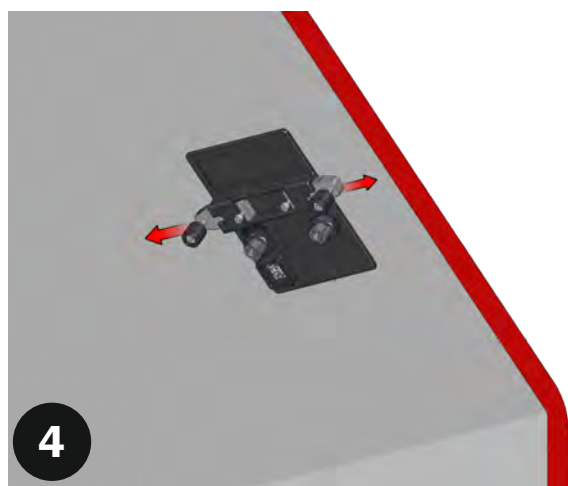
1. Place the Moby Drilling Pattern in the desired position (preferably a clean and easy-to-access area near the steering wheel of the boat).



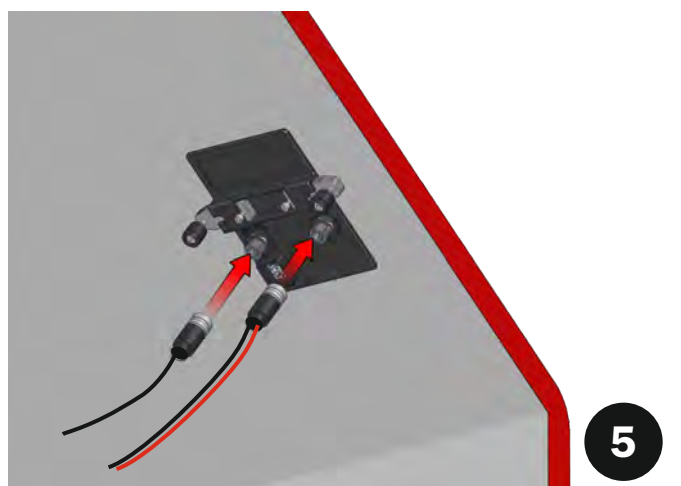
3. Drill the 4 holes according to the provided drilling pattern with a 10mm bore.



4. Create the central hole with an electric handsaw.



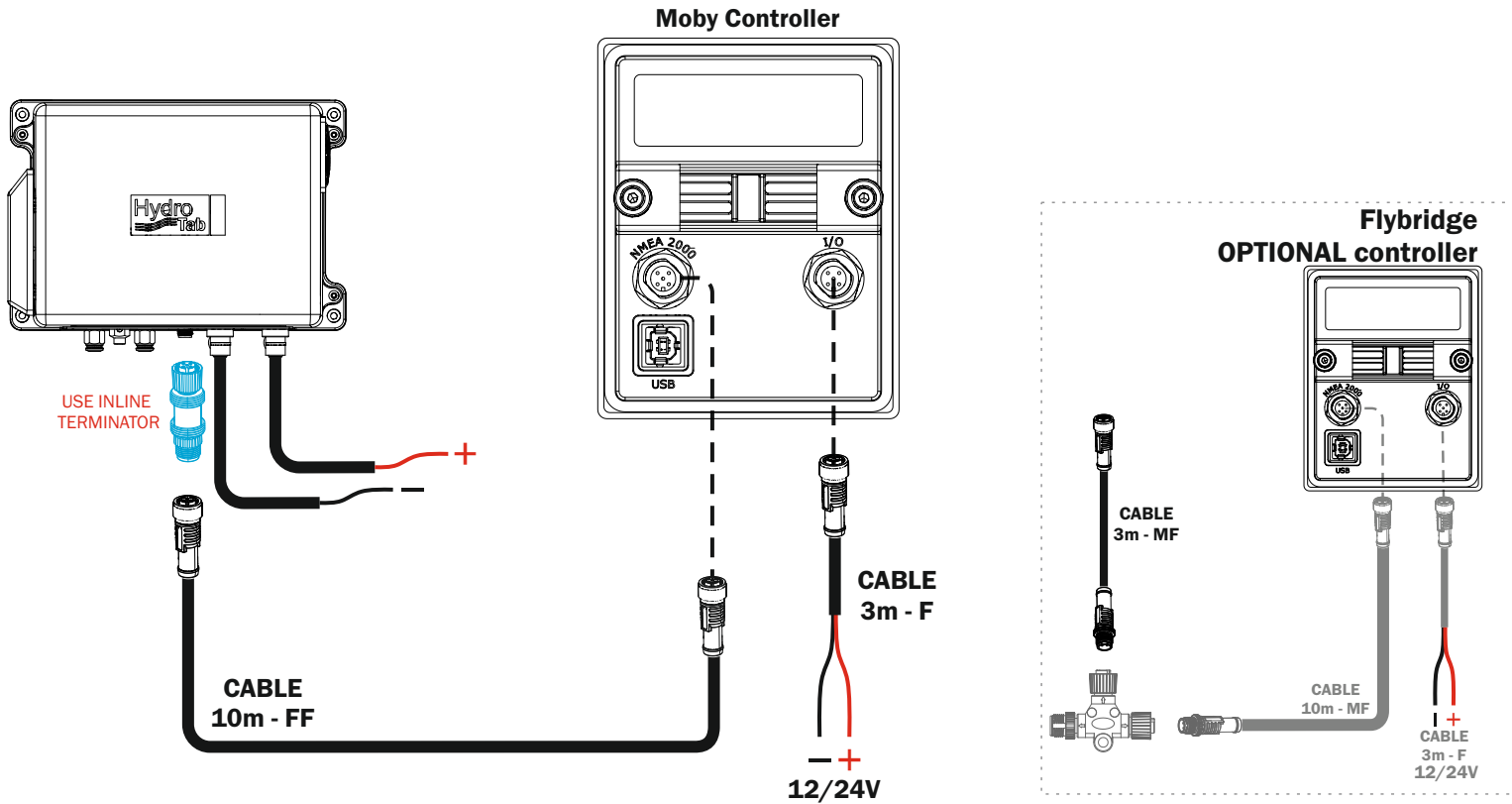
4. Place the Moby Controller in its position, and mount it from the internal of the cockpit, with the given screws.



5. Mount the connection plugs in the 5-pole ports.

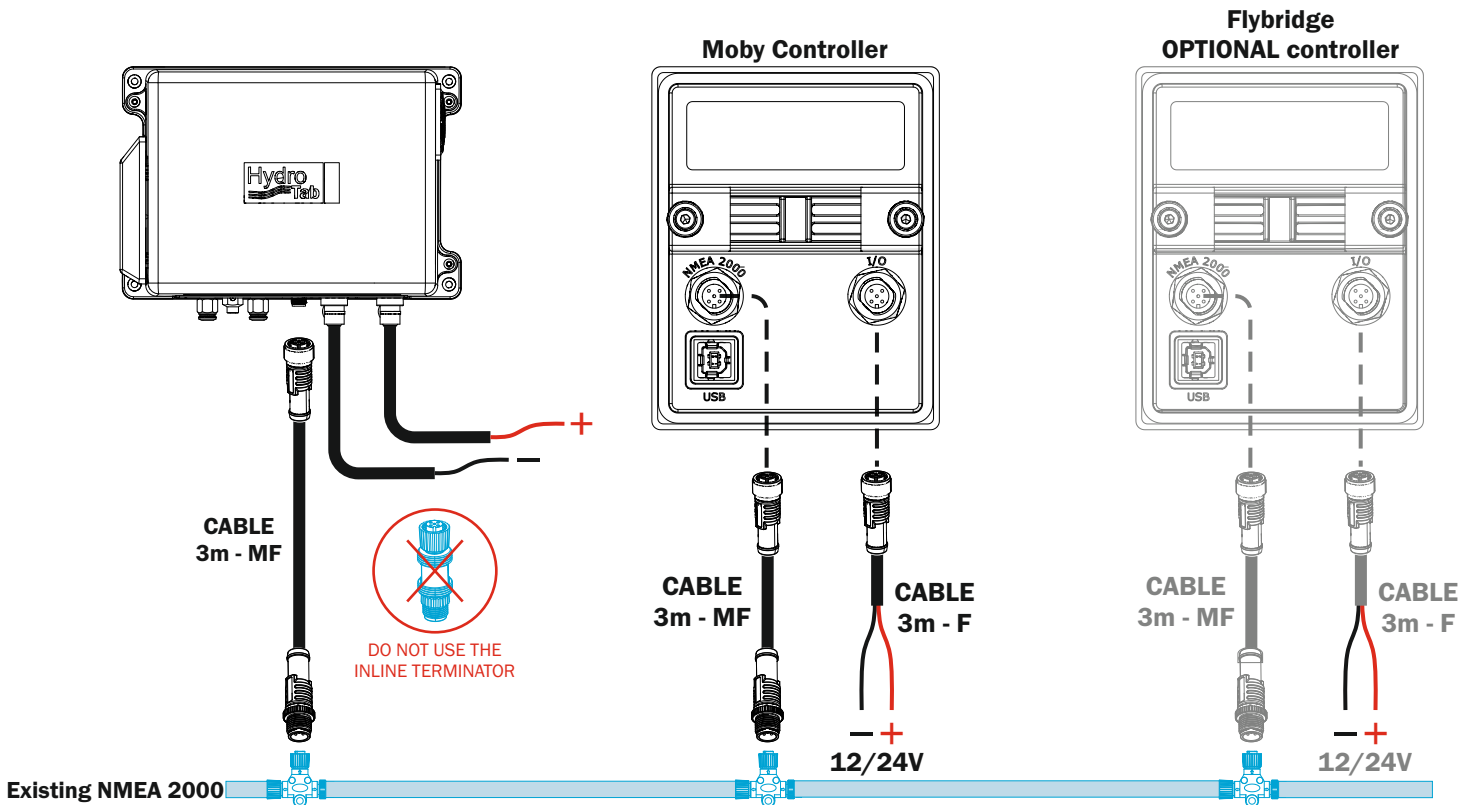


## Direct Installation Diagram

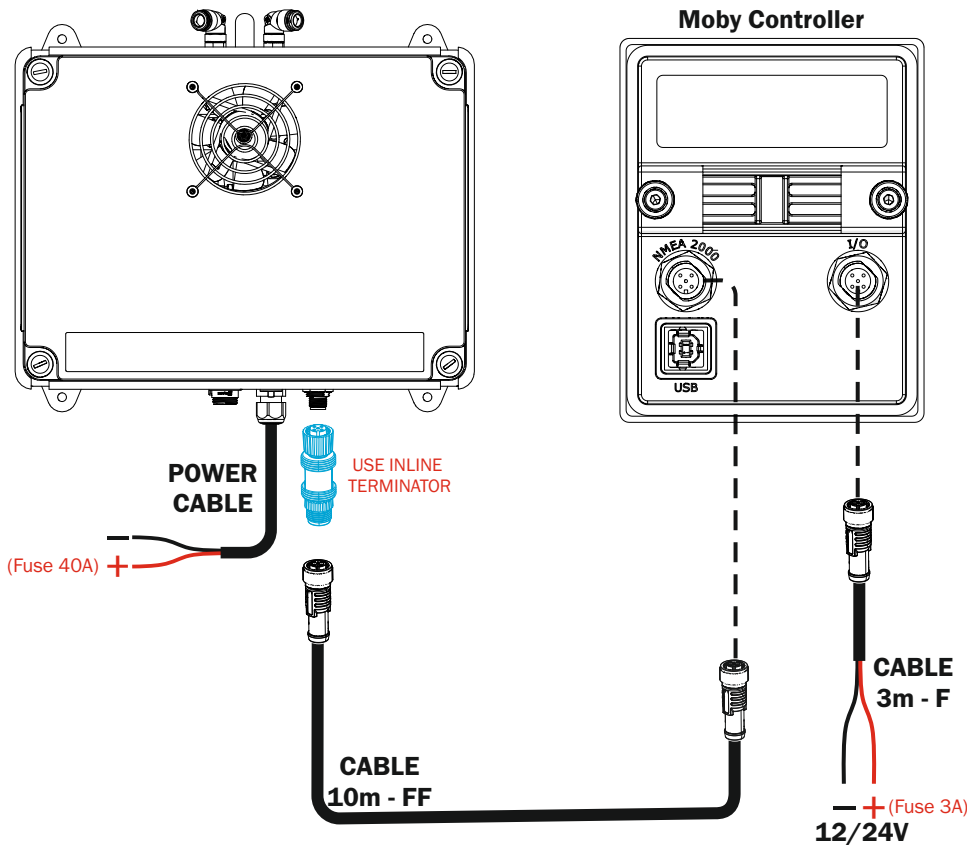


In case a new NMEA 2000 instrument to be added, a proper NMEA Network must be built.

## Installation diagram on existing NMEA Network



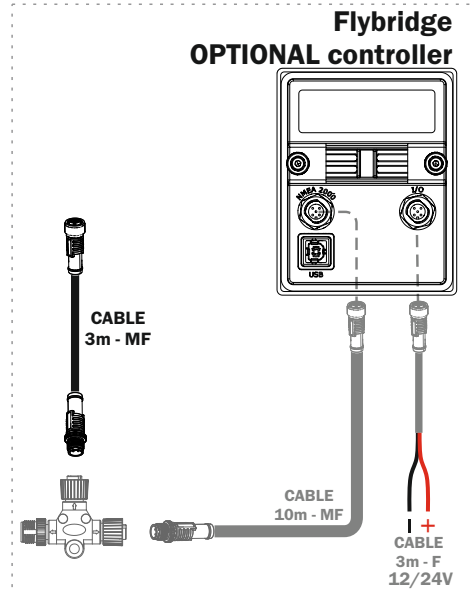
## Direct Installation Diagram - Double Speed Air Unit



### Attention!

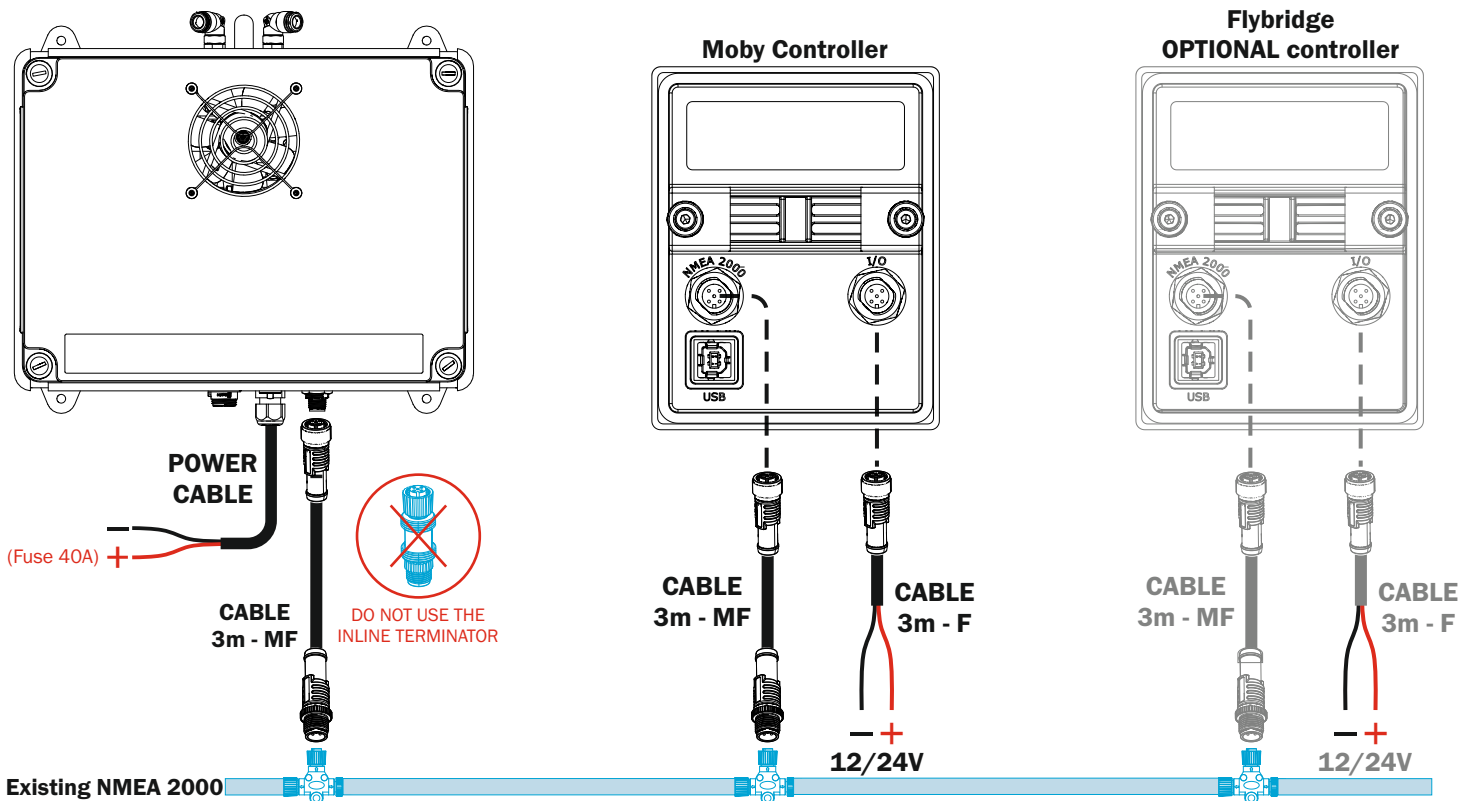
DC	Amps	Use Fuse
24V	19A	25A

\*Advice the fusing table and ensure that you apply the right fuse according to your boat's voltage.

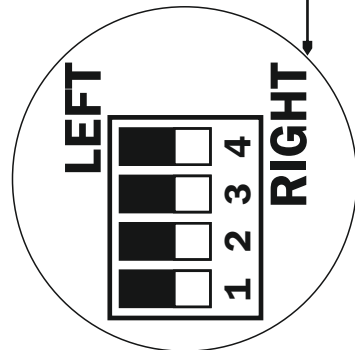
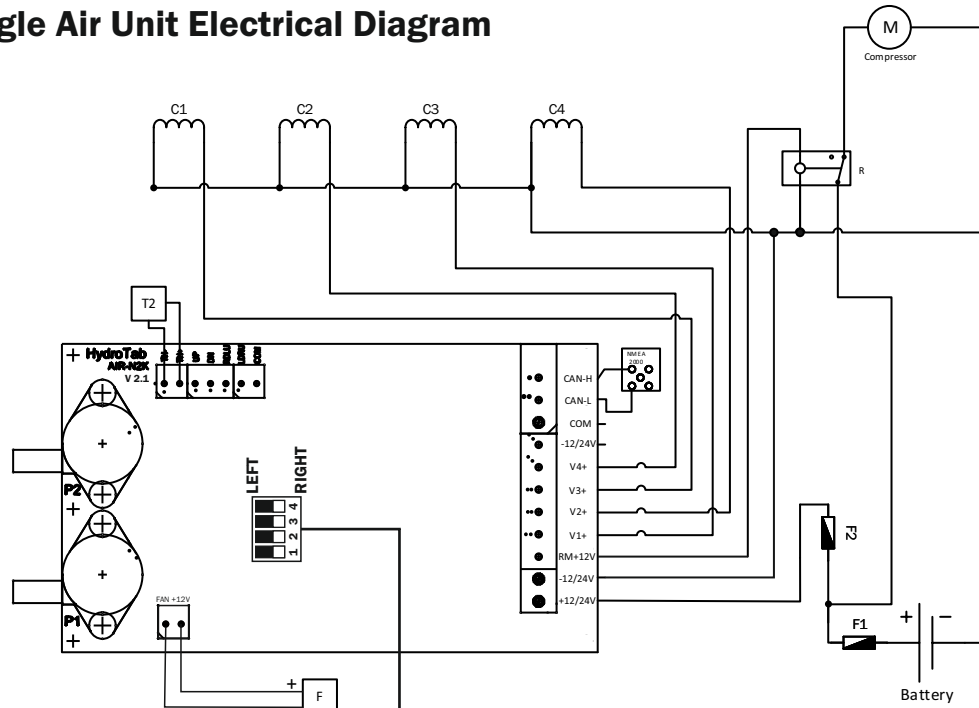


In case a new NMEA 2000 instrument to be added, a proper NMEA Network must be built.

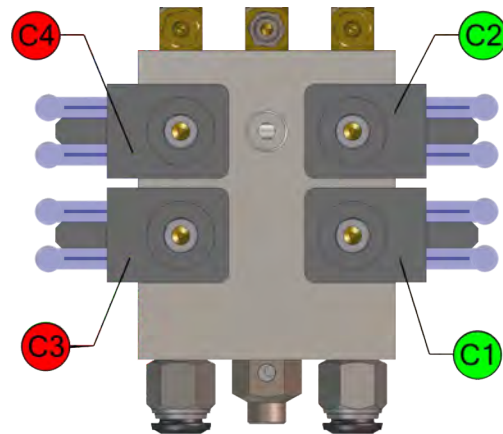
## Installation diagram on existing NMEA Network



## Single Air Unit Electrical Diagram

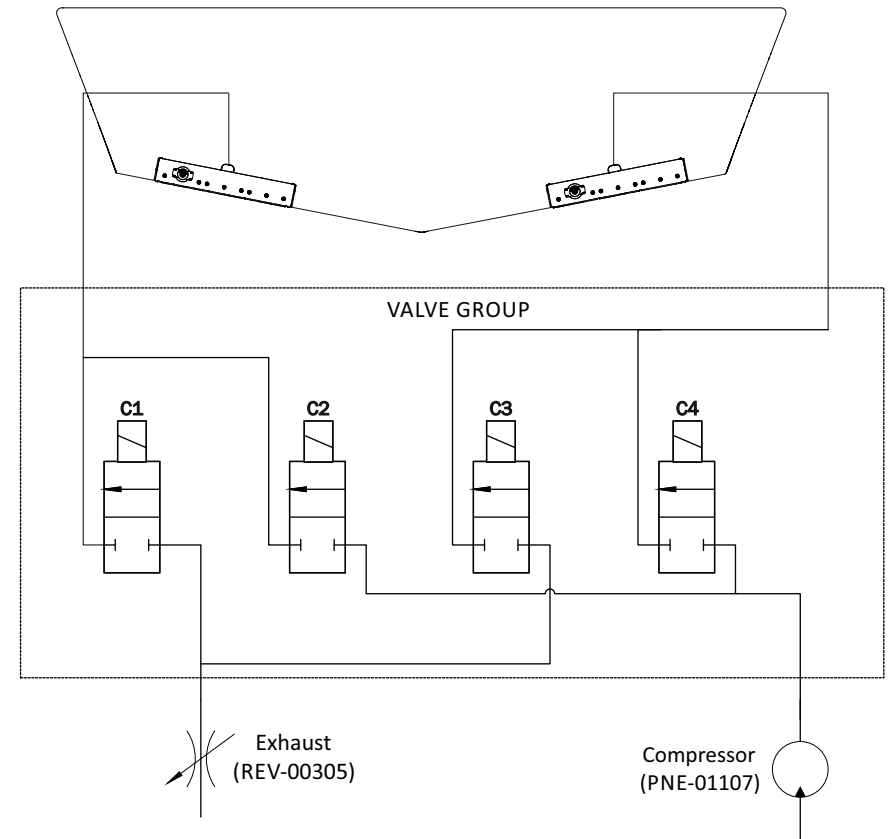


**IMPORTANT:**  
THE SWITCHES MUST BE STRICTLY SET AS SHOWN (DIP1, DIP2, DIP3, DIP4 RIGHT)



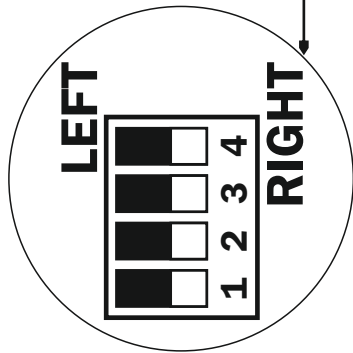
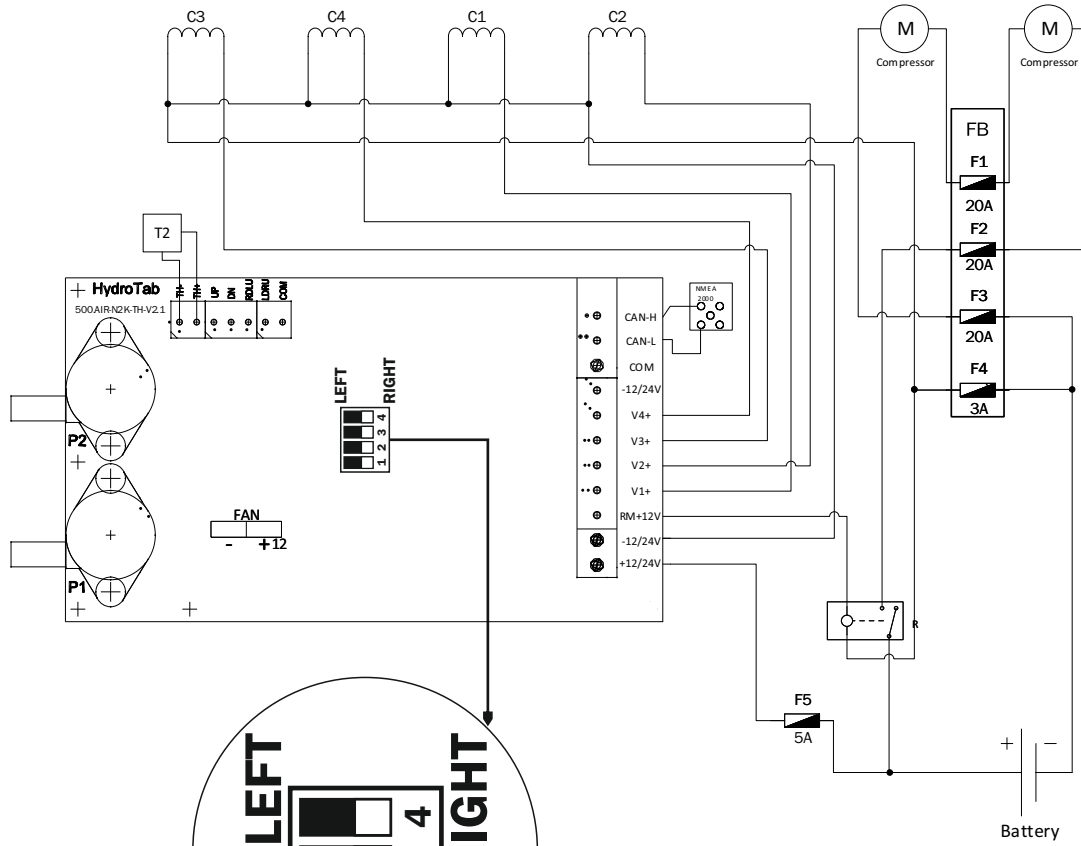
- Port Valves
- Starboard Valves

## Single Air Unit Pneumatic Diagram

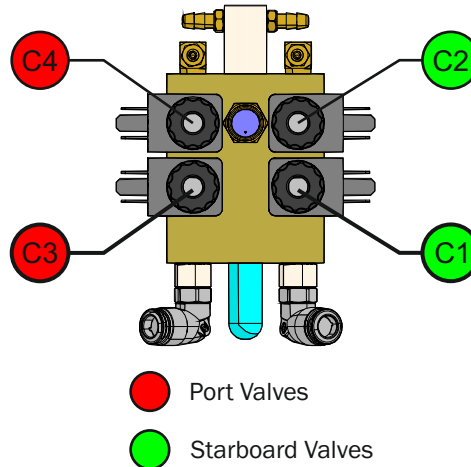


SYMBOL	PART No	DESCRIPTION	NOTES
C1	PNE-00924	VALVE COIL	STARBOARD RETRACT
C2	PNE-00924	VALVE COIL	STARBOARD EXTEND
C3	PNE-00924	VALVE COIL	PORT RETRACT
C4	PNE-00924	VALVE COIL	PORT EXTEND
F1		MAIN SUPPLY FUSE 25A	NOT PROVIDED
F2	ELE-00380	ELECTRONICS FUSE 3A	
M	PNE-01208	COMPRESSOR MOTOR	
F	ELE-00591	COOLING FAN	
T2	ELE-00550	TEMPERATURE SENSOR	

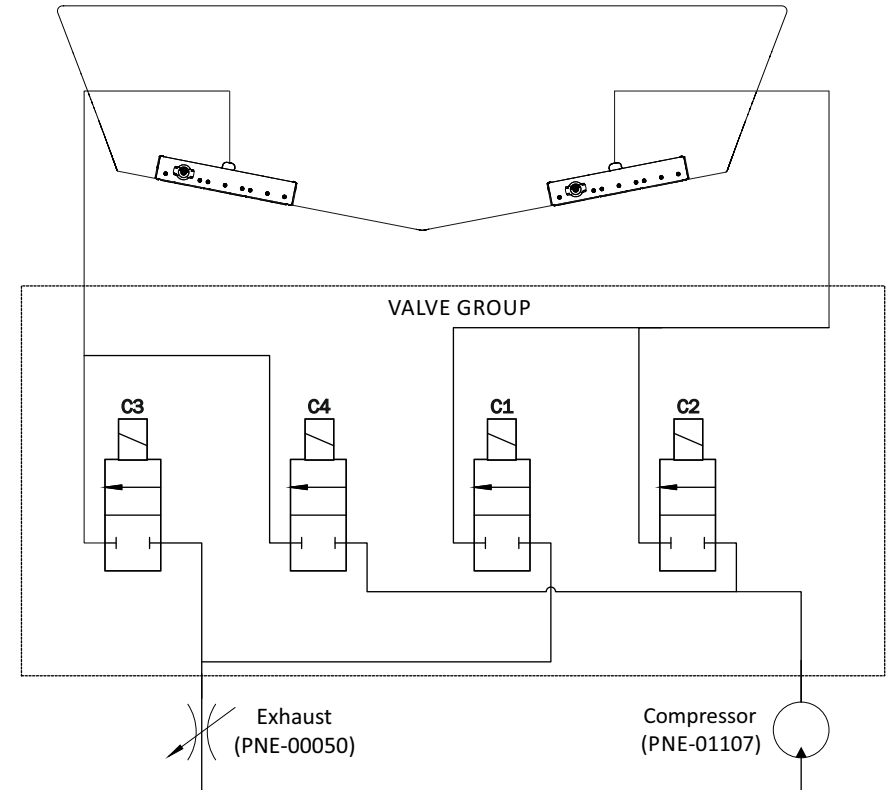
## Double Speed Air Unit Electrical Diagram



**IMPORTANT:**  
THE SWITCHES MUST BE STRICTLY SET  
AS SHOWN (DIP1, DIP2, DIP3, DIP4 RIGHT)



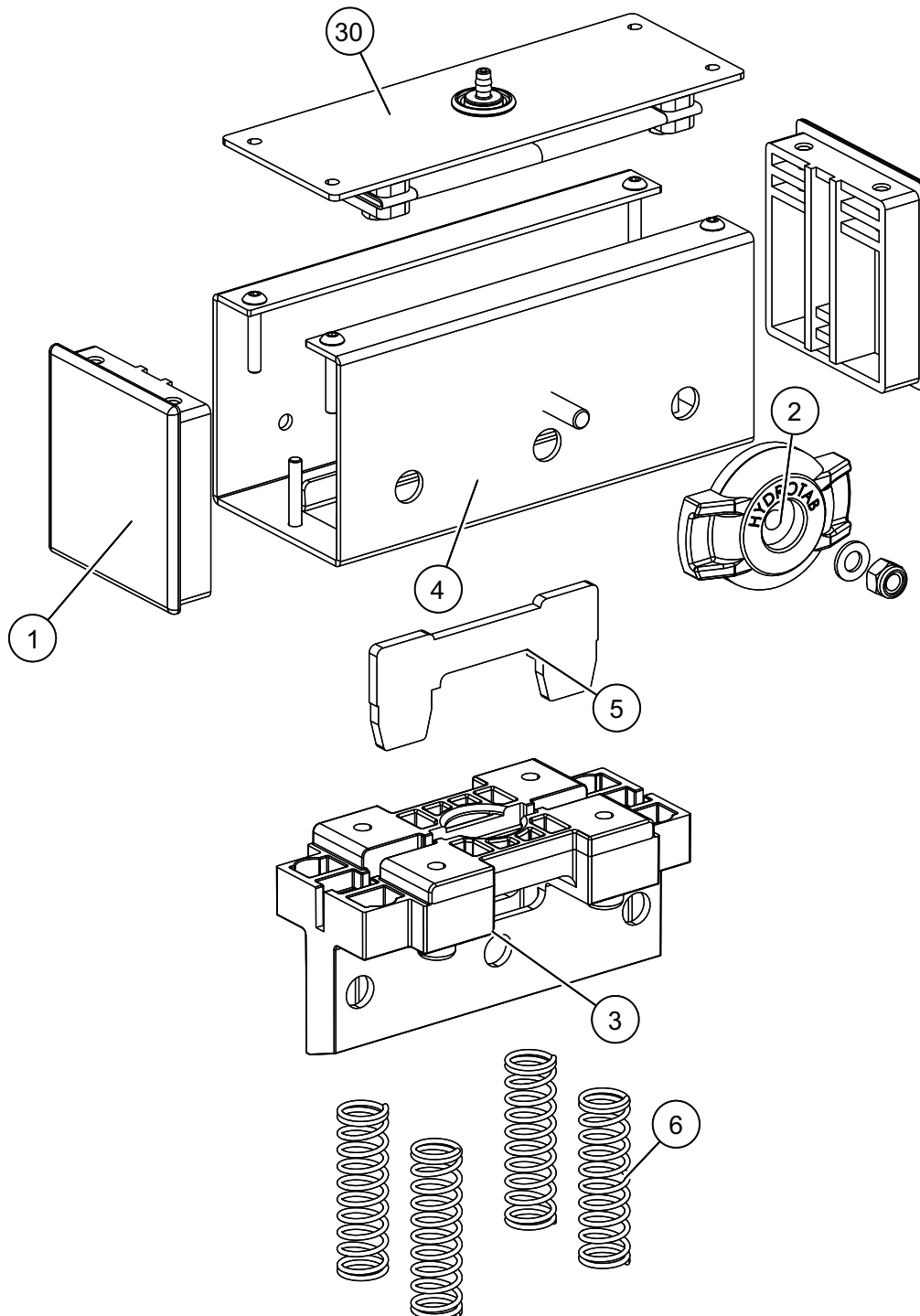
## Double Speed Air Unit Pneumatic Diagram



SYMBOL	PART No	DESCRIPTION	NOTES
C1	PNE-00924	VALVE COIL	STARBOARD RETRACT
C2	PNE-00924	VALVE COIL	STARBOARD EXTEND
C3	PNE-00924	VALVE COIL	PORT RETRACT
C4	PNE-00924	VALVE COIL	PORT EXTEND
F1, F2, F3	ELE-00690	FUSE 20A	
F4	ELE-00380	FUSE 3A	
F5	ELE-00048	SAFETY SWITCH 5A	
FB	ELE-00689	4-FUSE HOLDER	
M	PNE-01208	COMPRESSOR MOTOR	
R	ELE-00637	RELAY	
F	ELE-00591	COOLING FAN	
T2	ELE-00550	TEMPERATURE SENSOR	

Spare parts list

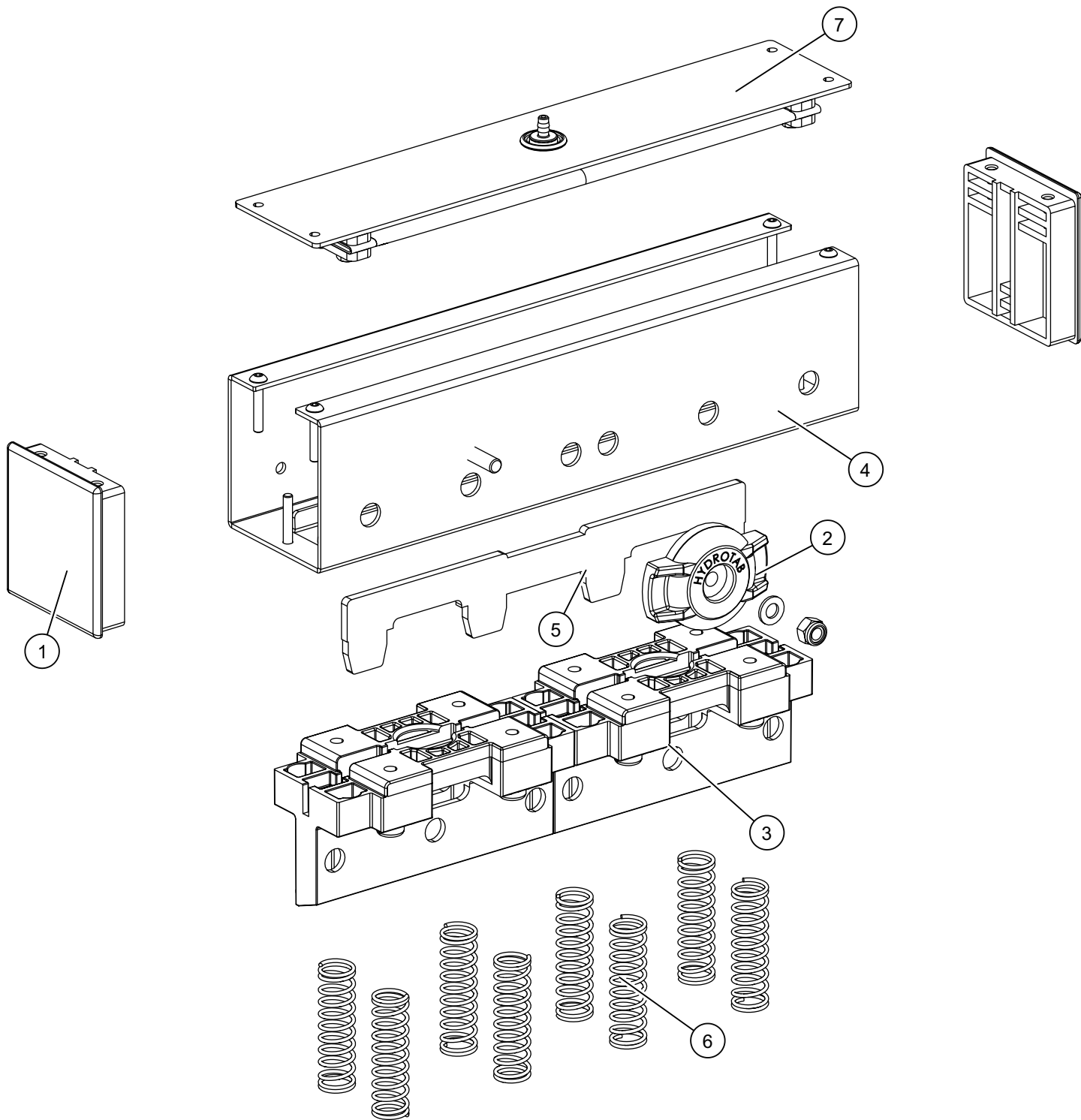
**MOD: 160BT (ASM-00928)**



BOM ID	PartNo	Description	Qty
1	GEN-00276	SIDE CAP	2
2	GEN-00279	ANODE	1
3	GEN-00290	BLADE	1
4	LAS-00826	HOUSING, 160BT	1
5	LAS-00851	HOLDING BLADE PLATE, 160BT	1
6	SPR-00025	SPRING	4
30	ASM-00999	TUBULAR ASSEMBLY, 160BT	1

Spare parts list

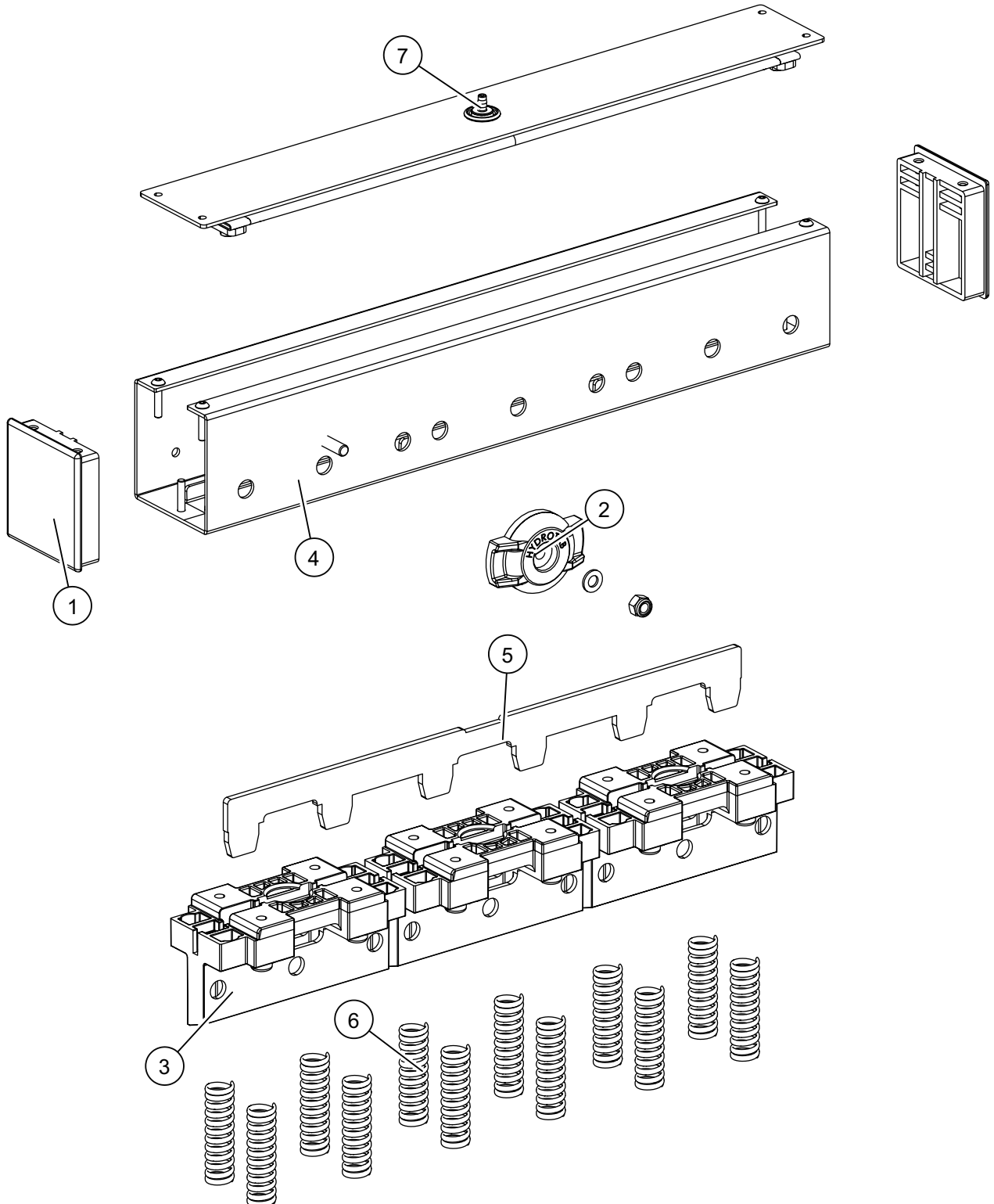
**MOD: 320BT (ASM-00560)**



BOM ID	PartNo	Description	Qty
1	GEN-00276	SIDE CAP	2
2	GEN-00279	ANODE	1
3	GEN-00290	BLADE	2
4	LAS-00479	HOUSING, 320BT	1
5	LAS-00489	HOLDING BLADE PLATE, 320BT	1
6	SPR-00025	SPRING	8
7	ASM-00550	TUBULAR ASSEMBLY, 320BT	1

Spare parts list

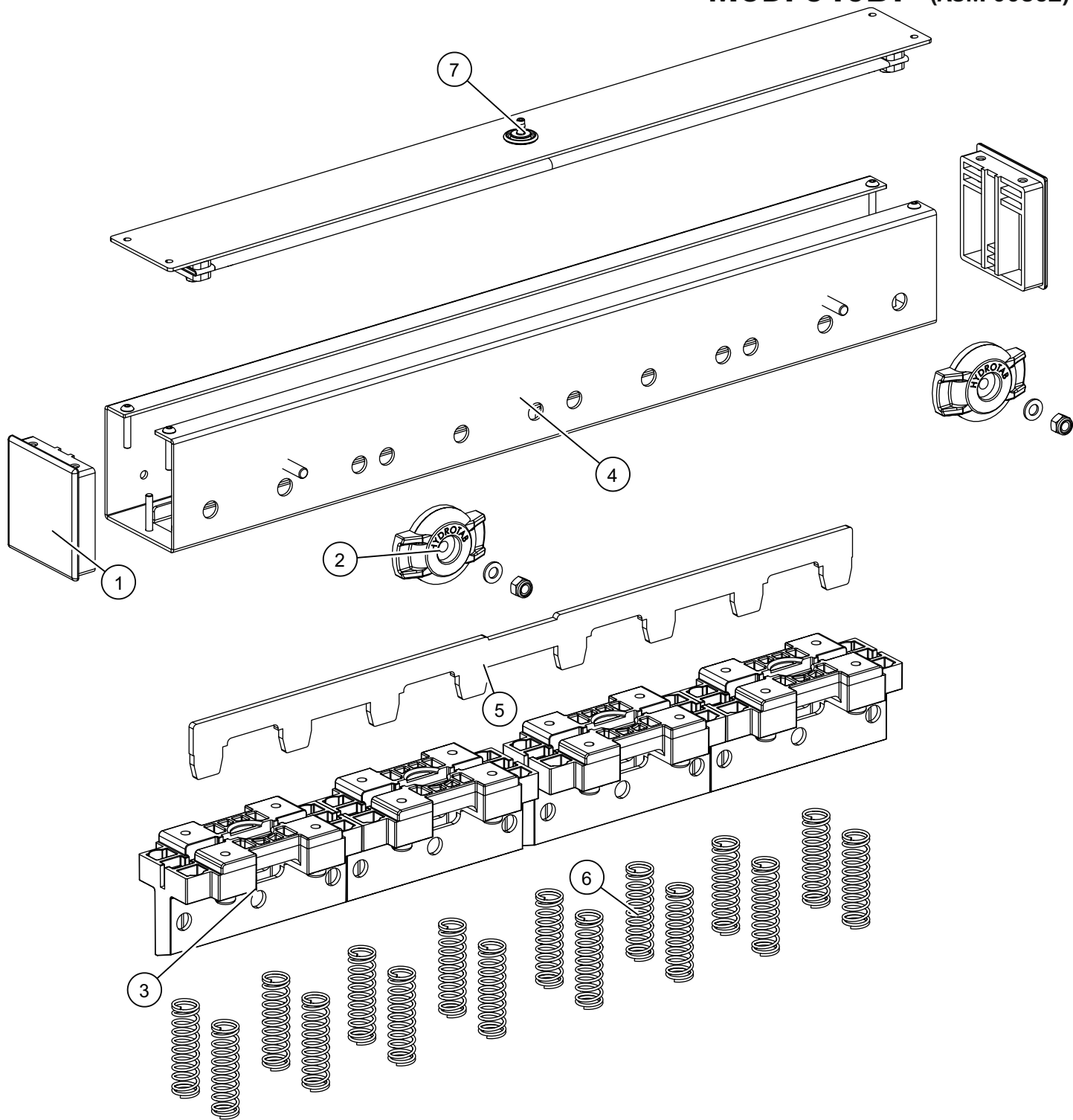
**MOD: 480BT (ASM-00561)**



BOM ID	PartNo	Description	Qty
1	GEN-00276	SIDE CAP	2
2	GEN-00279	ANODE	1
3	GEN-00290	BLADE	3
4	LAS-00480	HOUSING, 480BT	1
5	LAS-00490	HOLDING BLADE PLATE, 480BT	1
6	SPR-00025	SPRING	12
7	ASM-00551	TUBULAR ASSEMBLY, 480BT	1

Spare parts list

**MOD: 640BT (ASM-00562)**

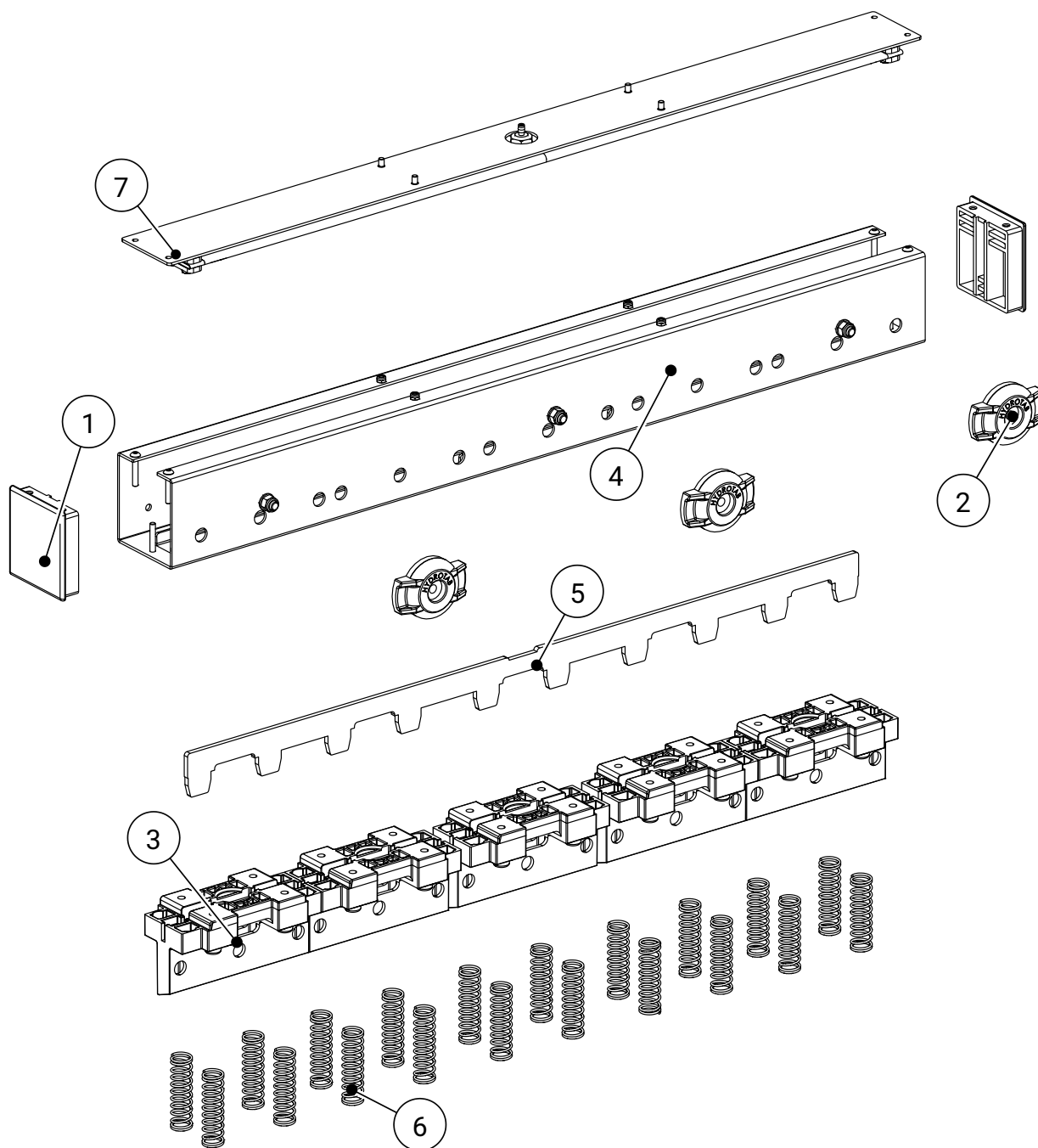


BOM ID	PartNo	Description	Qty
1	GEN-00276	SIDE CAP	2
2	GEN-00279	ANODE	2
3	GEN-00290	BLADE	4
4	LAS-00481	HOUSING, 640BT	1
5	LAS-00491	HOLDING BLADE PLATE, 640BT	1
6	SPR-00025	SPRING	16
7	ASM-00552	TUBULAR ASSEMBLY, 640BT	1



Spare parts list

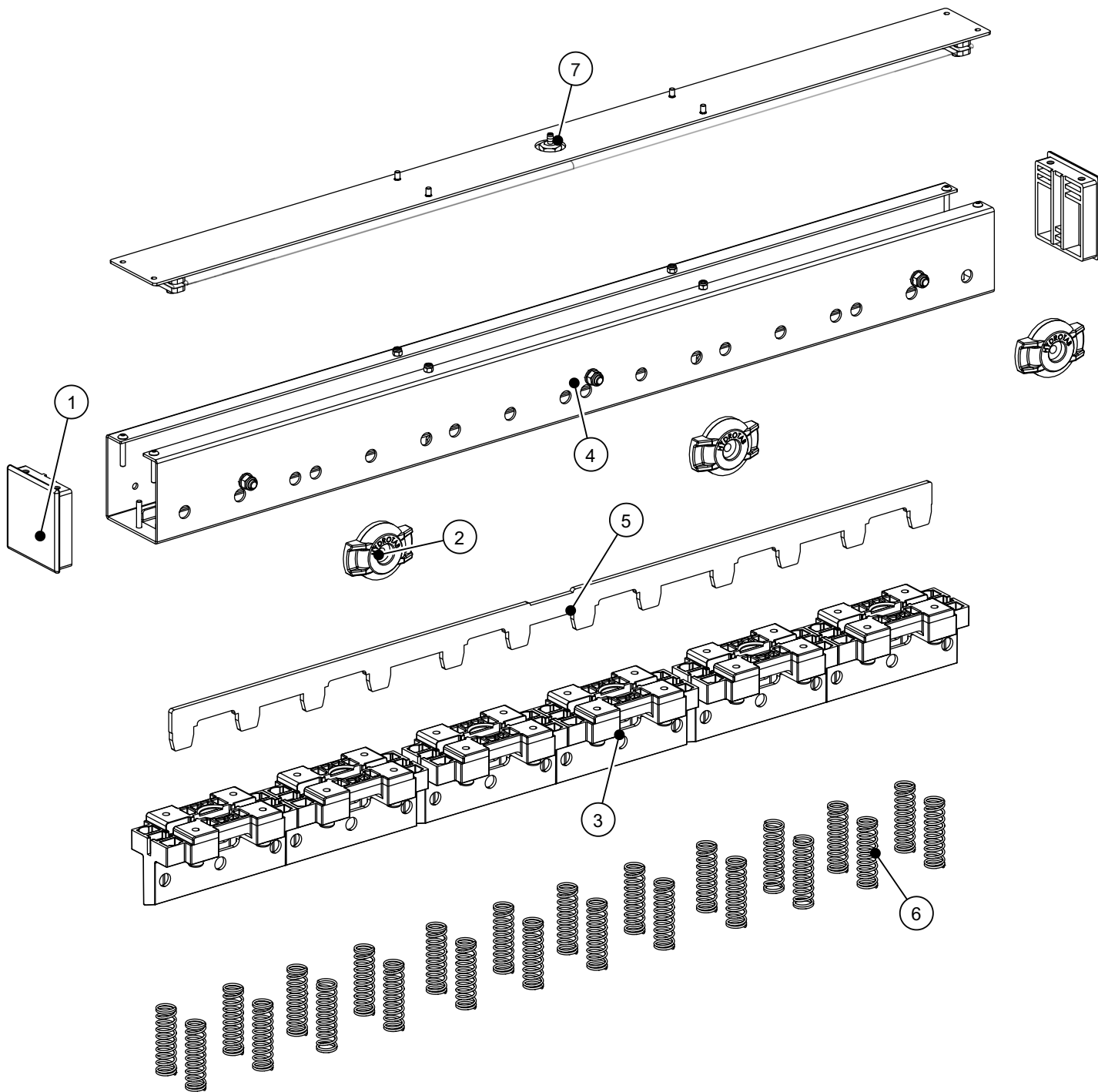
**MOD 800BT (ASM-00563)**



BOM ID	PartNo	Description	Qty
1	GEN-00276	SIDE CAP	2
2	GEN-00279	ANODE	3
3	GEN-00290	BLADE	5
4	LAS-00482	HOUSING, 800BT	1
5	LAS-00492	BLADE HOLDER, 800BT	1
6	SPR-00025	SPRING	20
7	ASM-00553	TUBULAR ASSEMBLY, 800BT	1

Spare parts list

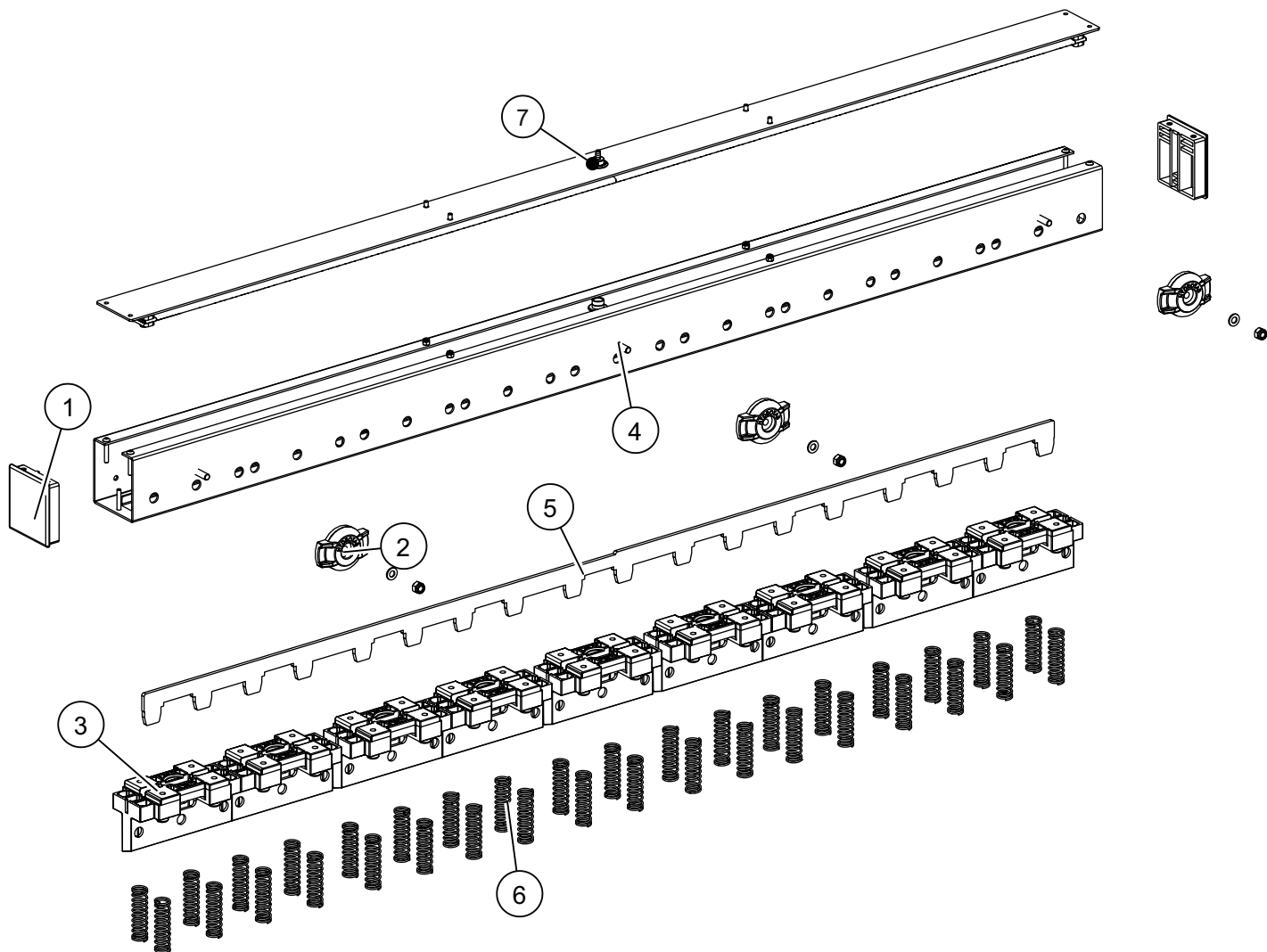
MOD: 960BT (ASM-00564)



BOM ID	PartNo	Description	Qty
1	GEN-00276	SIDE CAP	2
2	GEN-00279	ANODE	3
3	GEN-00290	BLADE	6
4	LAS-00483	HOUSING, 960BT	1
5	LAS-00493	BLADE HOLDER, 960BT	1
6	SPR-00025	SPRING	24
7	ASM-00554	TUBULAR ASSEMBLY, 960BT	1

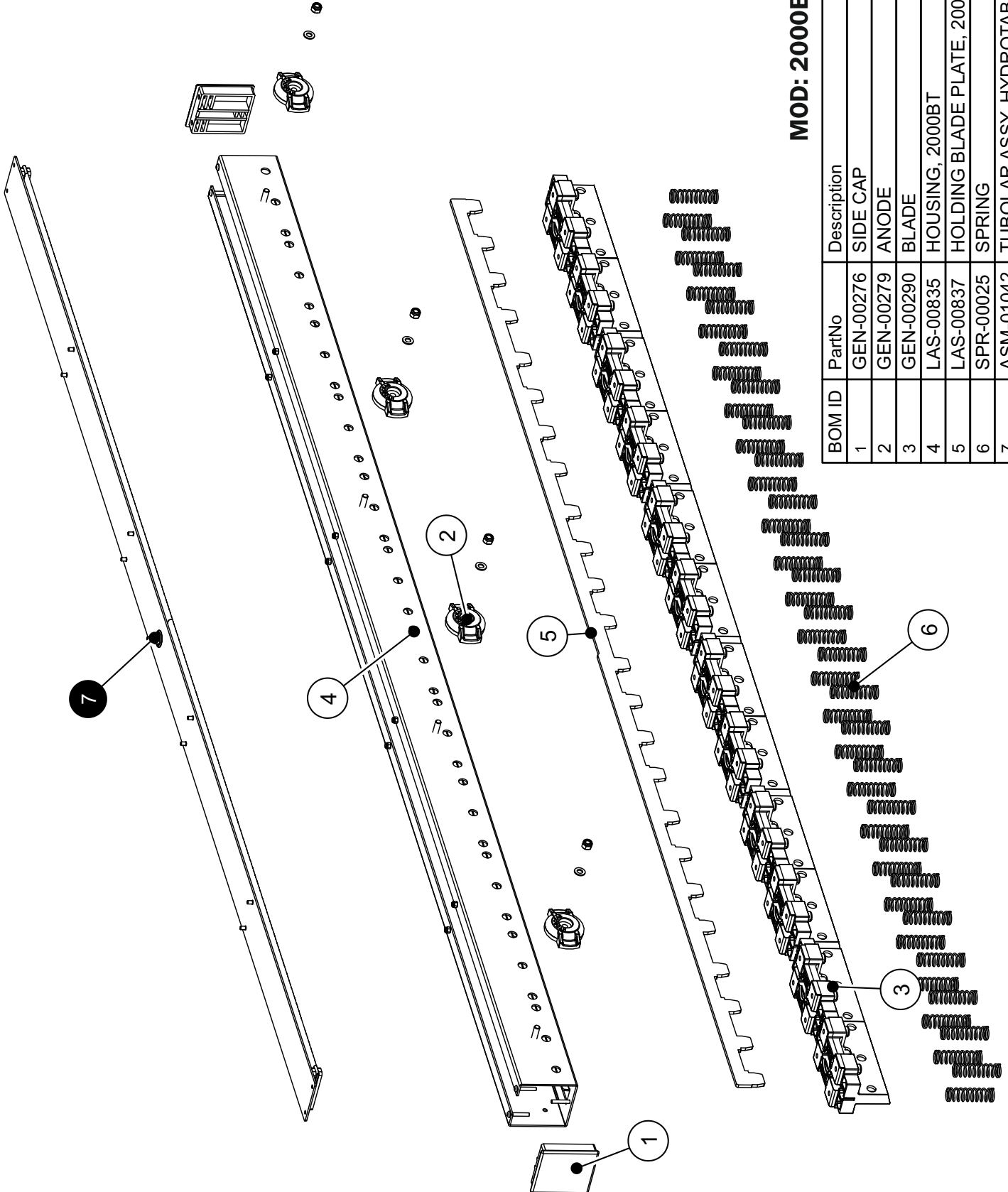
Spare parts list

**MOD: 1500BT (ASM-0940)**



BOM ID	PartNo	Description	Qty
1	GEN-00276	SIDE CAP	2
2	GEN-00279	ANODE	3
3	GEN-00290	BLADE	9
4	LAS-00832	HOUSING, 1500BT	1
5	LAS-00834	HOLDING BLADE PLATE, 1500BT	1
6	SPR-00025	SPRING	36
7	ASM-01009	TUBULAR ASSEMBLY, 1500BT	1

Spare parts list



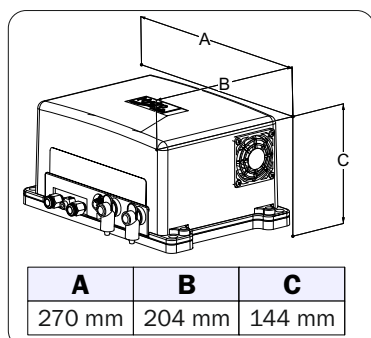
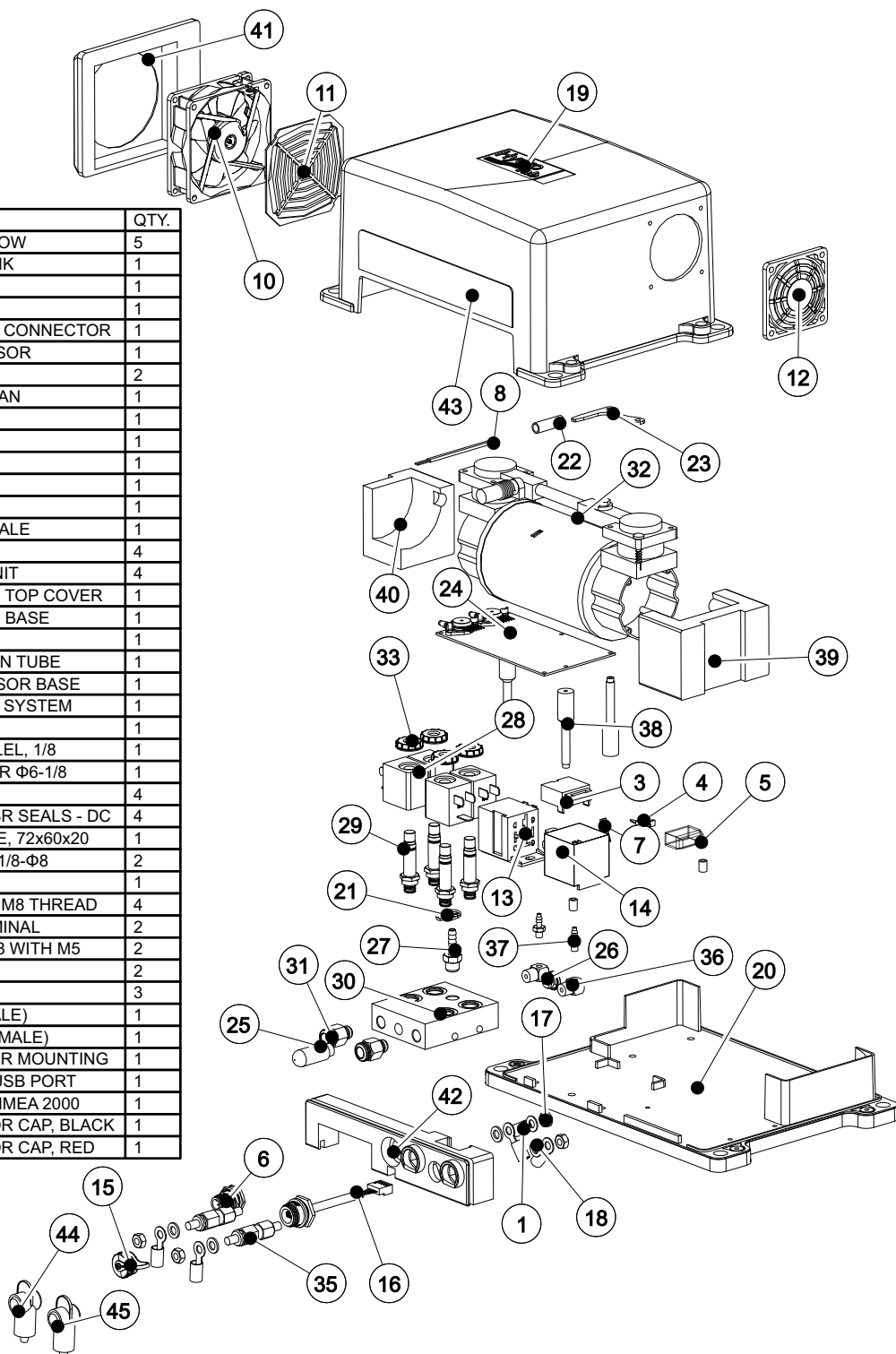
**MOD: 2000BT (ASM-0941)**

BOM ID	PartNo	Description	Qty
1	GEN-00276	SIDE CAP	2
2	GEN-00279	ANODE	4
3	GEN-00290	BLADE	12
4	LAS-00835	HOUSING, 2000BT	1
5	LAS-00837	HOLDING BLADE PLATE, 2000BT	1
6	SPR-00025	SPRING	48
7	ASM-01042	TUBULAR ASSY, HYDROTAB 1500BT	1

### Spare parts list

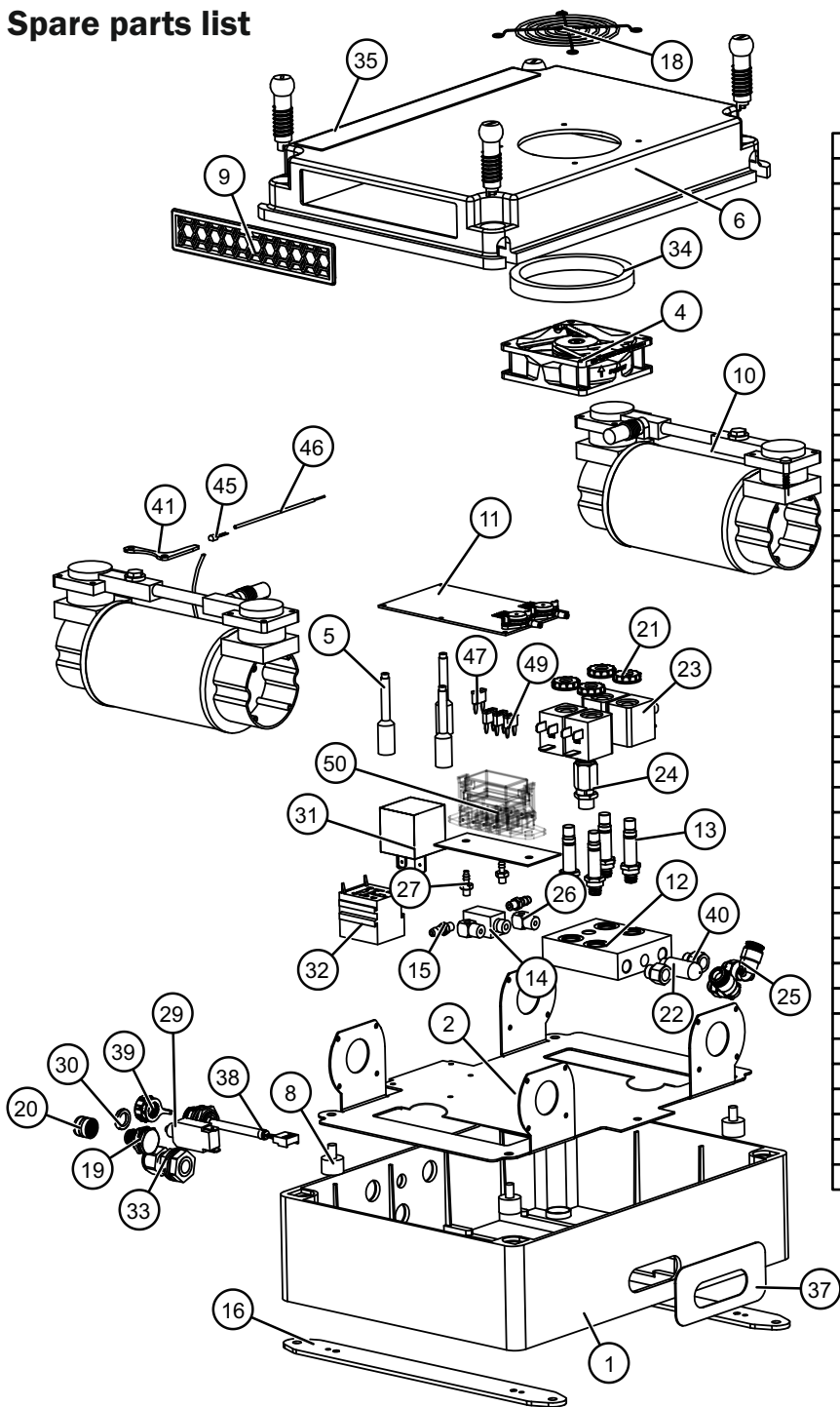
## AIR UNIT (ASM-01065-RH)

BOM ID	PART NUMBER	DESCRIPTION	QTY.
1	ELE-00106	TERMINAL, Φ6, YELLOW	5
3	ELE-00376	ENCLOSED FUSE LINK	1
4	ELE-00380	FUSE 3A	1
5	ELE-00381	FUSE HOLDER CAP	1
6	ELE-00535	M12, 5PIN PCB MALE CONNECTOR	1
7	ELE-00550	TEMPERATURE SENSOR	1
8	ELE-00562	SILICON CABLE	2
10	ELE-00591	AIR UNIT COOLING FAN	1
11	ELE-00592	GRID	1
12	ELE-00593	GRID 60x60	1
13	ELE-00634	RELAY BASE, BIG	1
14	ELE-00637	RELAY 12V 60A 4PIN	1
15	ELE-00646	USB SEALING CAP	1
16	ELE-00647	MINI USB PORT, FEMALE	1
17	FAS-02323	NUT FOR AIR UNIT	4
18	FAS-02324	WASHER FOR AIR UNIT	4
19	GEN-00156	HYDROTAB AIR UNIT, TOP COVER	1
20	GEN-00157	HYDROTAB AIR UNIT, BASE	1
21	GEN-00168	SPRING CLAMP	1
22	GEN-00505	SILICON PROTECTION TUBE	1
23	LAS-01170	TEMPERATURE SENSOR BASE	1
24	PCB-00029	PCB FOR NMEA 2000 SYSTEM	1
25	PNE-00050	SILENCER, 1/8, PA	1
26	PNE-00072	PLUG, MALE, PARALLEL, 1/8	1
27	PNE-00198	MALE HOSE ADAPTER Φ6-1/8	1
28	PNE-00924	COIL EVI 7/9 10W	4
29	PNE-00925	KANOTTO 2/2NC - NBR SEALS - DC	4
30	PNE-00926	AIR UNIT VALVE BASE, 72x60x20	1
31	PNE-01001	FITTING, STRAIGHT, 1/8-Φ8	2
32	PNE-01208	COMPRESSOR, 20V	1
33	PNE-01113	KNURLED NUT WITH M8 THREAD	4
35	REV-00304	COMPRESSOR TERMINAL	2
36	REV-00362	CUSTOM FITTING, 1/8 WITH M5	2
37	REV-00419	FITTING	2
38	REV-00443	LONG PCB SPACER	3
39	RUB-00132	RUBBER MOUNT (MALE)	1
40	RUB-00133	RUBBER MOUNT (FEMALE)	1
41	RUB-00134B	COOLER FAN RUBBER MOUNTING	1
42	RUB-00149	FRONT COVER with USB PORT	1
43	STK-00155	STICKER, AIR UNIT, NMEA 2000	1
44	ELE-00369	TERMINAL INSULATOR CAP, BLACK	1
45	ELE-00368	TERMINAL INSULATOR CAP, RED	1

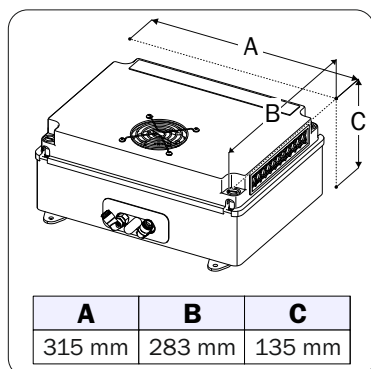


Spare parts list

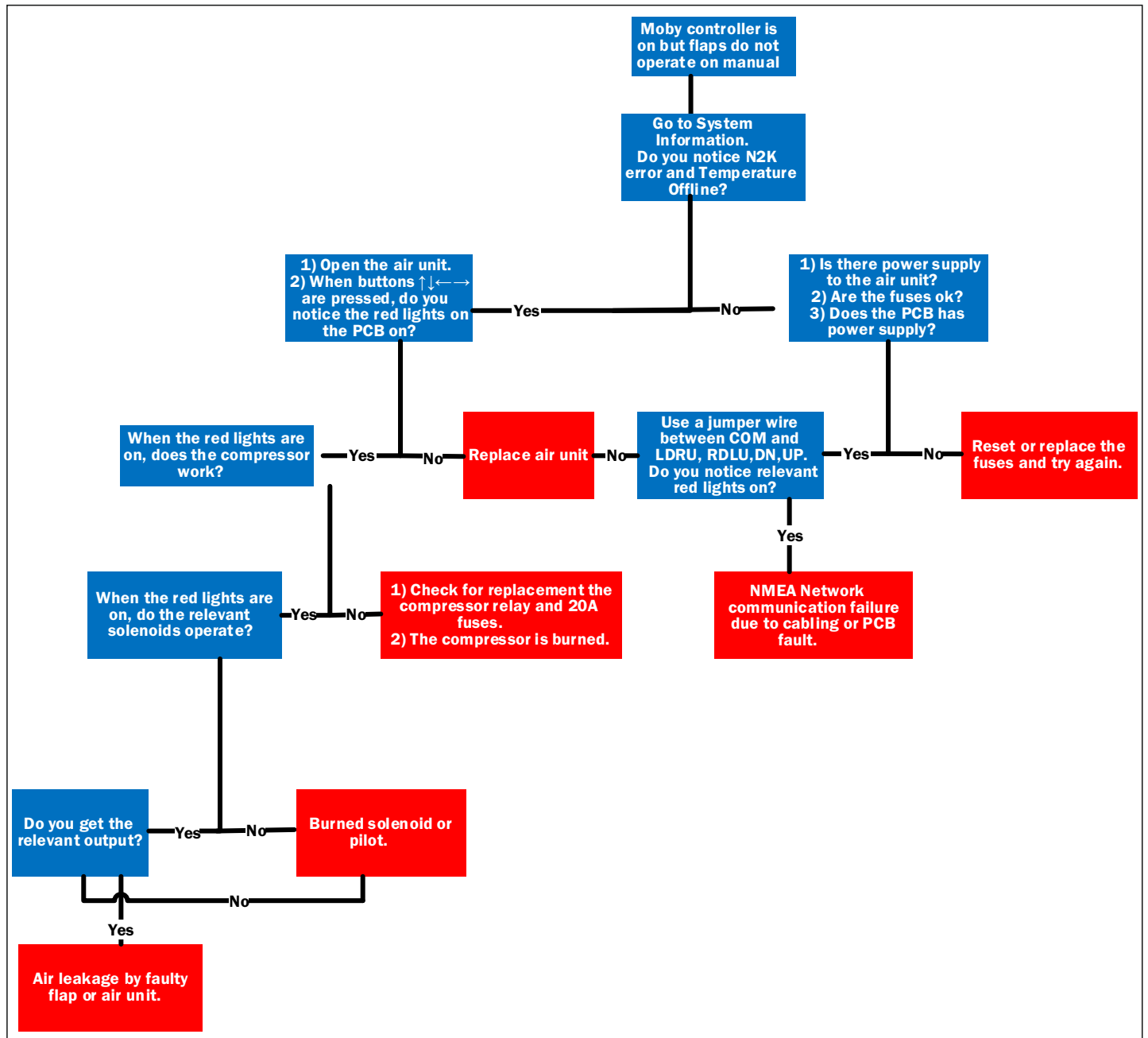
# DOUBLE SPEED AIR UNIT (ASM-01174-rf)



BOM ID	PartNo	DESCRIPTION	QTY.
1	ELE-00612	AIR UNIT DOUBLE SPEED BOX	1
2	LAS-01007	MOUNTING BASE	1
4	ELE-00591	AIR UNIT COOLING FAN	1
5	REV-00443	LONG PCB SPACER	3
6	LAS-01009	FAN MOUNTING FLANGE	1
8	REV-00487	PLATE SPACER	4
9	GEN-00461	SIDE PROTECTION GRILL	2
10	PNE-01208	COMPRESSOR, 20VDC	2
11	PCB-00029	PCB FOR NMEA 2000	1
12	PNE-00926	AIR UNIT VALVE BASE, 72x60x20	1
13	PNE-00925	THREAD OPERATOR 2/2NC	4
14	REV-00485	EXTENSION, 1/8 (M) with M6 (F)	1
15	REV-00493	Φ6 BRASS FITTING,M6	2
16	LAS-00112	BASE FOOT	2
18	ELE-00645	FAN PROTECTION GRILL	1
19	ELE-00535	5PIN PCB MALE CONNECTOR	1
20	ELE-00540	PROTECTION CAP	1
21	PNE-01113	KNURLED NUT M8	4
22	PNE-00050	SILENCER, 1/8, PA	1
23	PNE-00924	COIL EVI 7/9 10W	4
24	PNE-00092	SAFETY VALVE, 1/8	1
25	PNE-01064	ADAPTOR, ELBOW MALE, 1/8-Φ8	2
26	REV-00362	CUSTOM FITTING, 1/8 WITH M5	2
27	REV-00419	FITTING	2
29	ELE-00048A	SAFETY SWITCH	1
30	ELE-00048B	SAFETY SWITCH RING	1
31	ELE-00637	RELAY 12V 60A 4PIN	1
32	ELE-00634	RELAY BASE, BIG	1
33	ELE-00644	CABLE GLAND PG9	1
34	LAS-01075	FAN'S FLANGE	1
35	STK-00168	STICKER, TOP CAP	1
37	STK-00166	STICKER, INTERC. VALVES	1
38	ELE-00647	MINI USB PORT, FEMALE	1
39	ELE-00646	USB SEALING CAP	1
40	REV-00518	AIR UNIT FITTING 1/8 (M) - 1/8 (F)	2
41	LAS-01170	TEMPERATURE SENSOR BASE	1
45	ELE-00550	TEMPERATURE SENSOR	1
46	ELE-00562	SILICON CABLE	2
47	ELE-00380	FUSE 3A	1
49	ELE-00690	FUSE 20A	3
50	ELE-00689	4-FUSE HOLDER	1



## Moby Troubleshooting



## Warranty conditions

FW, TS and BT Series Interceptor units (and not complete systems) are covered by a 5-year Warranty.

SR Series Interceptor units (and not complete systems) are covered by a 2-year Warranty.

Recoil springs, electrical/electronic parts and devices come with a 2-year warranty.

Anodes (consumables) are not included in the warranty (for BT, FW, TS Series).

Hydrotab's warranty only covers the repair or replacement of spare parts.

## System selections

It is the sole responsibility of the buyer to choose the correct system and even with Hydrotab's suggestion for a system, the overall responsibility is with the buyer.

## Limited warranty

Provided that the system has been installed in accordance with the installation manual we provide, and no damage has been caused due to improper handling or practices, Hydrotab will replace any defective parts or parts that failed due to improper manufacturing within the applicable warranty period.

Hydrotab only covers the parts' replacement. Fitting or shipping costs are not covered by warranty.

Hydrotab will select if we will repair or replace any given part.

Repaired or replaced products will assume the remainder of the warranty time and under no conditions will the full time of warranty be renewed.

## Limited warranty periods

Limited warranty period is two years (2 years) from the product shipment from our premises.

## Extended limited warranty period

It is provided in case:

- a) Hydrotab trim system is included as equipment of a newly purchased boat directly by from the boat-builder or his reseller.
- b) Hydrotab trim system has been purchased through a Hydrotab dealer.

The extended limited warranty period is valid for three (3) years from the shipping date, provided that the customer has downloaded, completed and submitted the online registration form within one month (30) days from the purchase in the following url.

<https://www.hydrotab.gr/product-registration>

In case the dealer sells separate units of Interceptors, Air Units and Controllers that constitute a full system that is not initially sold (as a complete system) by Hydrotab, the dealer has the responsibility to provide the separate Serial Numbers for the Interceptors, Air Units and Controllers and guide the end user for the proper registration of his serial numbers for the extended warranty to be valid.

The authorized dealer is responsible for the product's service.

For any services or spare parts requirements and replacements during warranty period, the original invoice is necessary to be presented.

For the replacement of any part of the system (interceptors, Air Unit, any controller etc.) under warranty, the replaced parts must be returned to Hydrotab Marine Engineering for inspection, otherwise warranty is not valid.

Cost of dismantling - assembly and spare parts transportation is borne by the user.

The warranty does not foresee, under any circumstances, replacement of the whole Hydrotab system.

## What is not covered by the warranty:

Damage caused by the lack or non-replacement of worn anodes (for BT, FW, TS Series).

Damage caused by improper installation and use not consistent with the manual.

Damage with external visible deformation of the product caused by misuse of the user or other external causes.

Damage to any component caused during transportation, installation or repair from non-authorized personnel.

Conversions or modifications made after the initial sale.

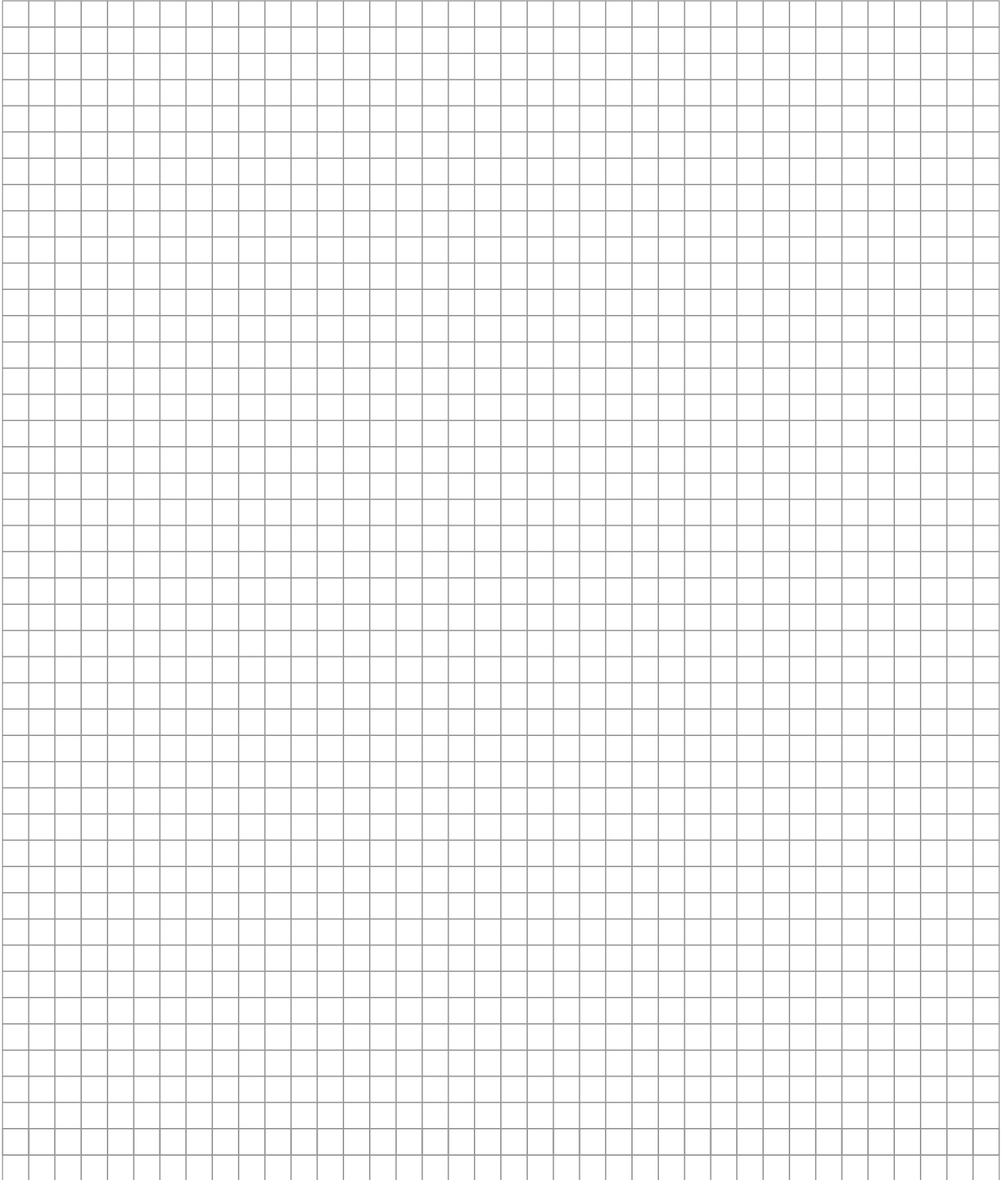
N. Triantafyllis Ltd (Hydrotab Marine Engineering) is not liable for any incidental, indirect or consequential damages or losses, including,

without limitation: travel expenses, transport, lifting and hauling, costs, loss of income, loss of time, loss of property, loss of profits, personal injury or damage of any products, different from those that the company distributes. Any further (except the above mentioned) commitment of the intermediate dealer regarding the sale terms or servicing of Hydrotab products does not create any liability of our company.





## Notes







4, Papazoglou str.  
GR-17778 Athens  
Greece  
email: [info@hydrotab.gr](mailto:info@hydrotab.gr)  
website: [www.hydrotab.gr](http://www.hydrotab.gr)